



STAINLESS STUDENT TABLE

SKU:2466-72

Stainless Student Table w/ large work surface



TECHNICAL INFORMATION

- 72"W x 20.5"D x 30"H
- Stainless steel work top with built in clamp protection
- Wood core
- Metal legs

SHIPPING INFORMATION

Item generally ships via Freight(Truck) service

- Weight: 130 lbs
- Dimensions: 84"L x 32"W x 15"H

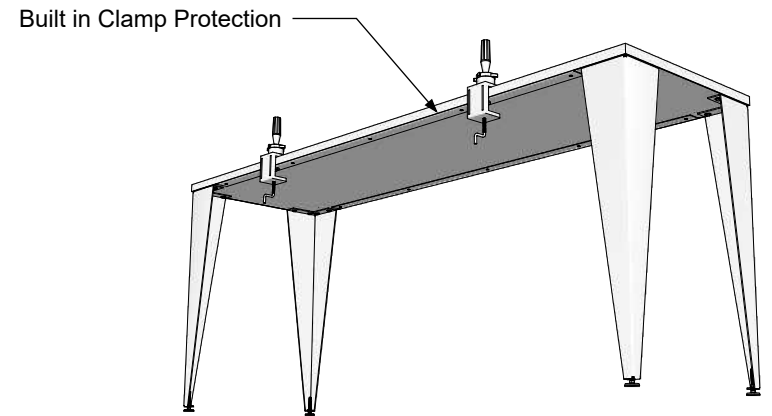
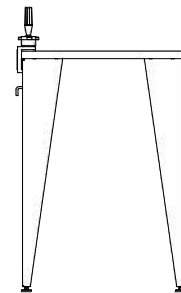
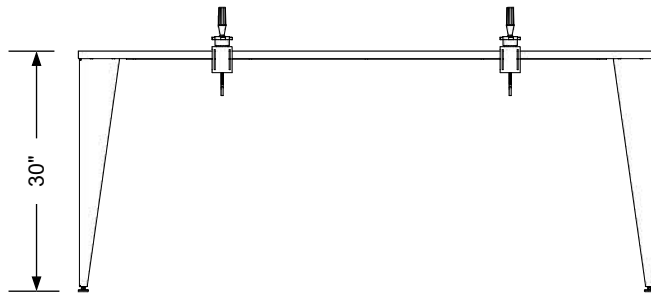
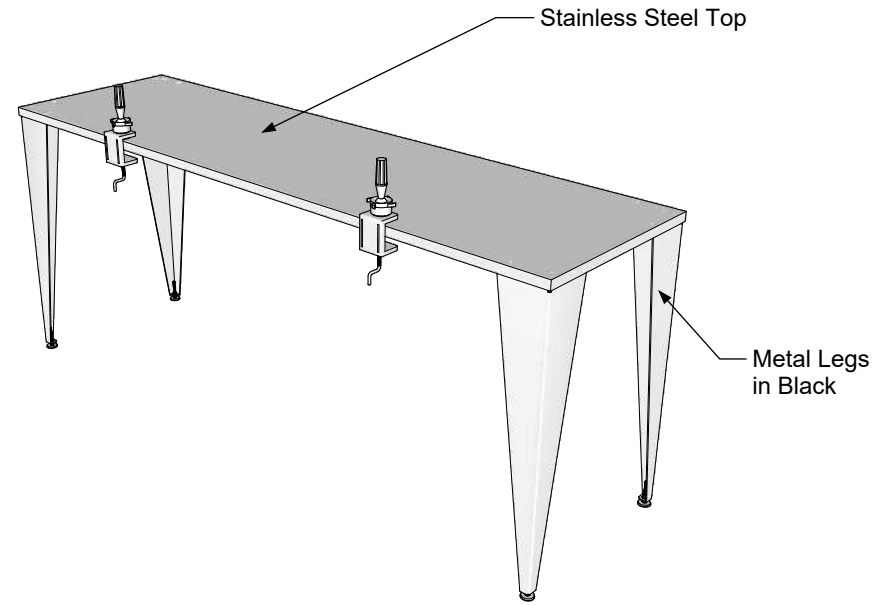
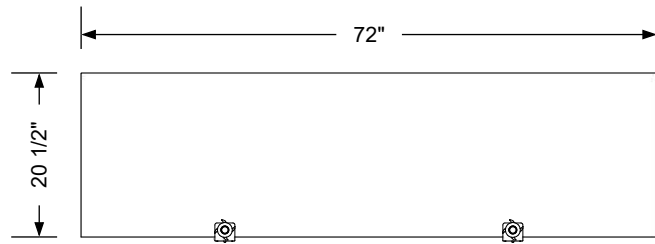
WARRANTY

3 Years:

- Ball-Bearing Drawer Slides
- Cabinet hinges

1 Year:

- All remaining components, unless noted otherwise, are guaranteed for a period of one year from the date of purchase.




Additional Information

Assembly required - yes
 Electrical required - no
 Plumbing required - no
 Wall blocking required - no
 COM yardage/laminate usage - n/a
 Other (specify) - n/a
 Other (specify) - n/a
 Other (specify) - n/a

Specification Drawing

This **Specification Drawing** is intended for communicating the basic description, function, appearance, dimensions, features, and installation of an item as manufactured by Collins Manufacturing Company. Because this drawing does not contain project specific information such as quantities, finishes, or options, it is not an approval drawing and does not require a signature. This drawing remains the property of Collins Manufacturing Company and must not be used against the interests of Collins Manufacturing Company.

		Collins Manufacturing 2000 Bowser Road Cookeville, TN 38506	
		Title: Stainless Student Table	
Size:	Part Number:	Drawn By:	
NTS	2466-72	Eng	
Prepared Date:	Revision Date:	Revision Number:	Sheet:
5/21/21	10/29/21	Rev 1	1 of 1