



INSTRUCTORS DESK

SKU:2472-60



Designed for instructors, this handsome piece features four lockable drawers and a cabinet to keep paperwork organized. Its ample space also offers room for a laptop and books, as well as other essentials.

TECHNICAL INFORMATION

- 60"W x 26"D x 30"H
- Four locking drawers
- One locking cabinet
- Spacious work surface

SHIPPING INFORMATION

Item generally ships via Freight(Truck) service

- Weight: 300 lbs
- Dimensions: 72"L x 32"W x 38"H

WARRANTY

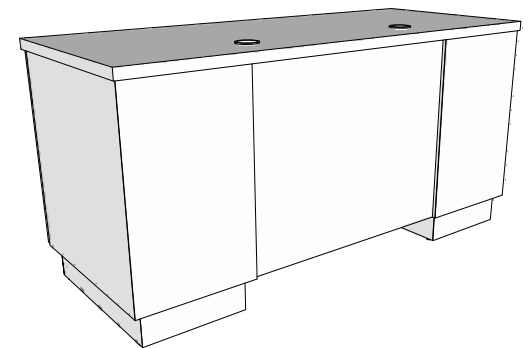
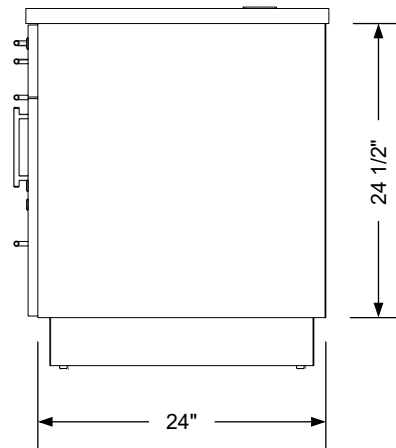
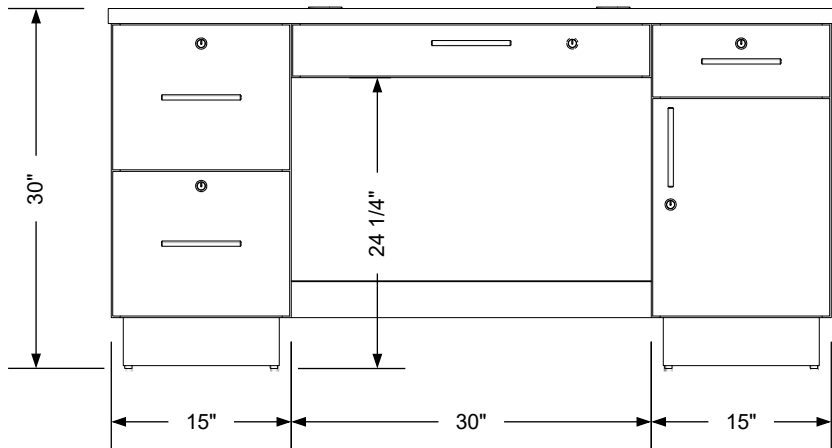
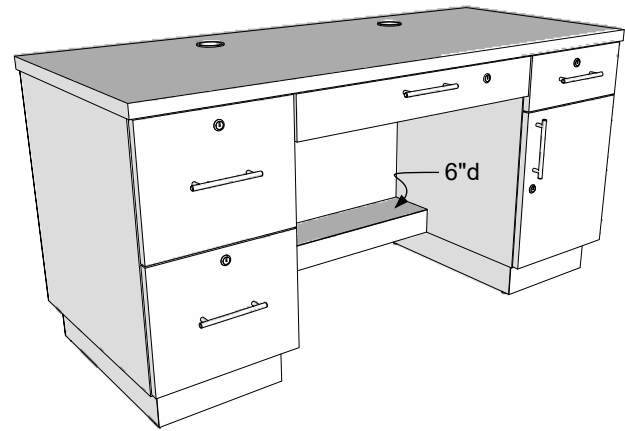
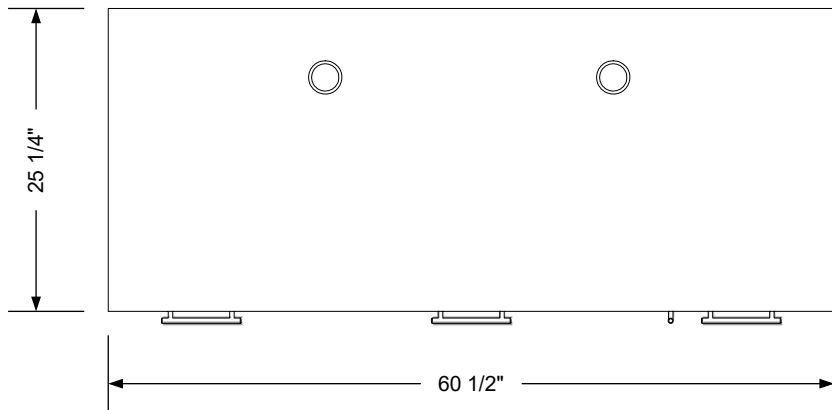
3 Years:

- Ball-Bearing Drawer Slides
- Cabinet hinges

1 Year:

- All remaining components, unless noted otherwise, are guaranteed for a period of one year from the date of purchase.






Additional Information

Assembly required - no
 Electrical required - no
 Plumbing required - no
 Wall blocking required - no
 COM yardage/laminate usage - 82 sf
 4" h laminated plywood toe + 1/4" h glides
 Other (specify) - n/a
 Other (specify) - n/a

Specification Drawing

This **Specification Drawing** is intended for communicating the basic description, function, appearance, dimensions, features, and installation of an item as manufactured by Collins Manufacturing Company. Because this drawing does not contain project specific information such as quantities, finishes, or options, it is not an approval drawing and does not require a signature. This drawing remains the property of Collins Manufacturing Company and must not be used against the interests of Collins Manufacturing Company.

Product Information

		Collins Manufacturing 2000 Bowser Road Cookeville, TN 38506	
Name: Instructors Desk			
Size: NTS	Part Number: 2472-60	Drawn By: Eng	
Prepared Date: 7/6/20	Revision Date: Date	Revision Number: Rev #	Sheet: 1 of 1