



COMPUTER RESOURCE DESK

SKU:2670-36

With a privacy panel and sleek design, this Computer Resource Desk is great for any school or salon that needs a resource center. Perfectly suited for schools, spas or salons that want to keep their computer systems out of site.

TECHNICAL INFORMATION

- 36"W x 24"D x 48"H
- Work surface
- Privacy panel all around

SHIPPING INFORMATION

Item generally ships via Freight(Truck) service

- Weight: 180 lbs
- Dimensions: 48"L x 32"W x 56"H

WARRANTY

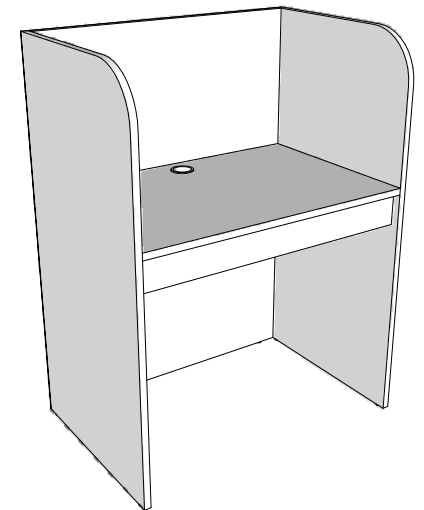
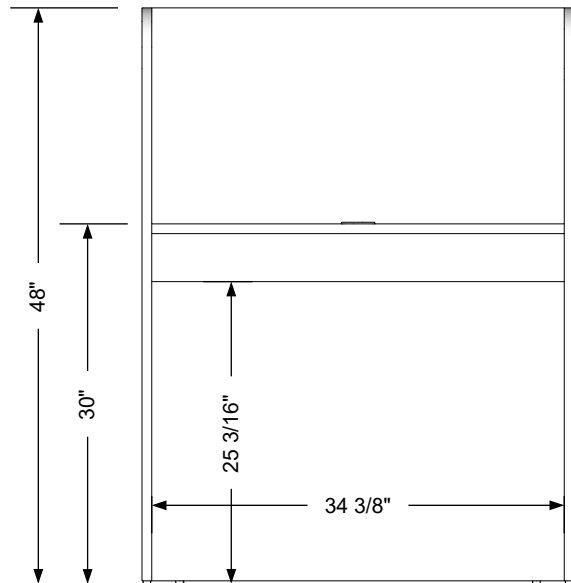
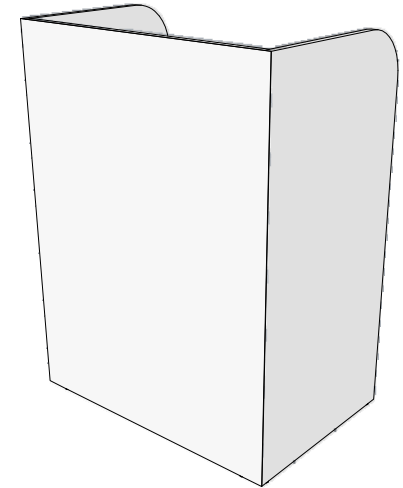
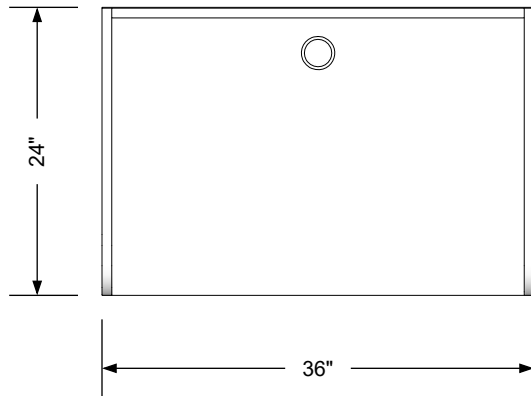
3 Years:

- Ball-Bearing Drawer Slides
- Cabinet hinges

1 Year:

- All remaining components, unless noted otherwise, are guaranteed for a period of one year from the date of purchase.






Additional Information

Assembly required - no
 Electrical required - no
 Plumbing required - no
 Wall blocking required - no
 COM yardage/laminate usage - 84 sf
 Laminated front and sides + 1/4"h glides
 Other (specify) - n/a
 Other (specify) - n/a

Specification Drawing

This **Specification Drawing** is intended for communicating the basic description, function, appearance, dimensions, features, and installation of an item as manufactured by Collins Manufacturing Company. Because this drawing does not contain project specific information such as quantities, finishes, or options, it is not an approval drawing and does not require a signature. This drawing remains the property of Collins Manufacturing Company and must not be used against the interests of Collins Manufacturing Company.

Product Information

		Collins Manufacturing 2000 Bowser Road Cookeville, TN 38506	
Name: Computer Resources Desk			
Size: NTS	Part Number: 2670-36	Drawn By: Eng	
Prepared Date: 7/6/20	Revision Date: Date	Revision Number: Rev #	Sheet: 1 of 1