



## TILTING BOWL ADD-ON

SKU:T100



Tilting-Bowl Addition w/ CB87, CB86 or CB82 Tilting Porcelain Bowl, faucet, vacuum breaker, and all needed accessories.

May be ordered as an OPTION on most Collins wet stations, or may be ordered separately for an in-salon installation.

### TECHNICAL INFORMATION

---

- 24.5"Wx18"Dx9.75"H

### SHIPPING INFORMATION

---

- Ships via LTL Freight (truck)
- Weight: 120lbs
- 1 Skid

### WARRANTY

---

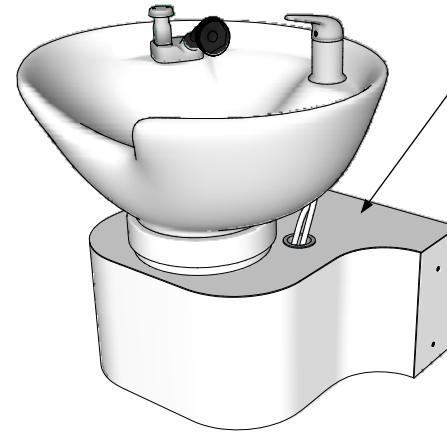
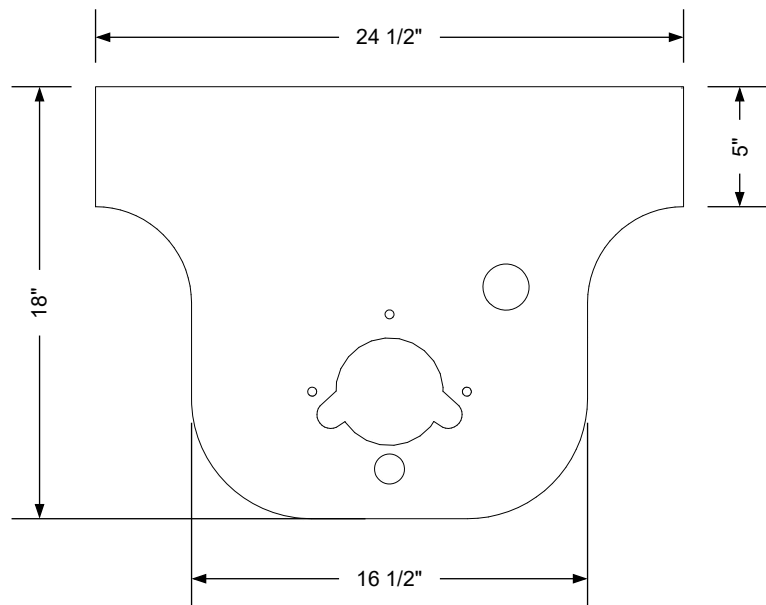
#### 3 Years:

- Ball-Bearing Drawer Slides
- Cabinet hinges

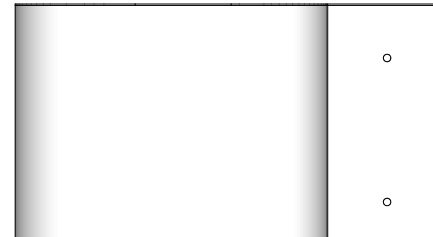
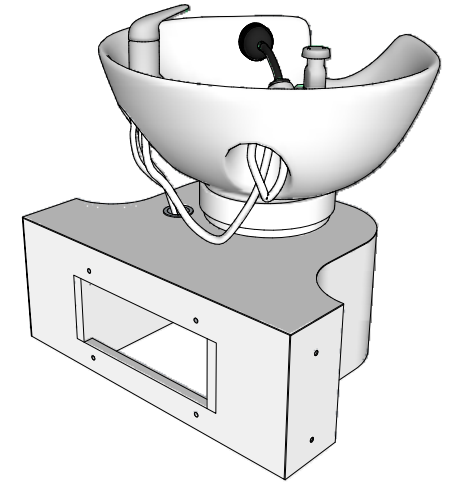
#### 1 Year:

- All remaining components, unless noted otherwise, are guaranteed for a period of one year from the date of purchase.





The T100 includes a porcelain tilting shampoo bowl./ Shown with Collins CB82 shampoo bowl. Other options include the Collins CB86 or CB87.



### Additional Information

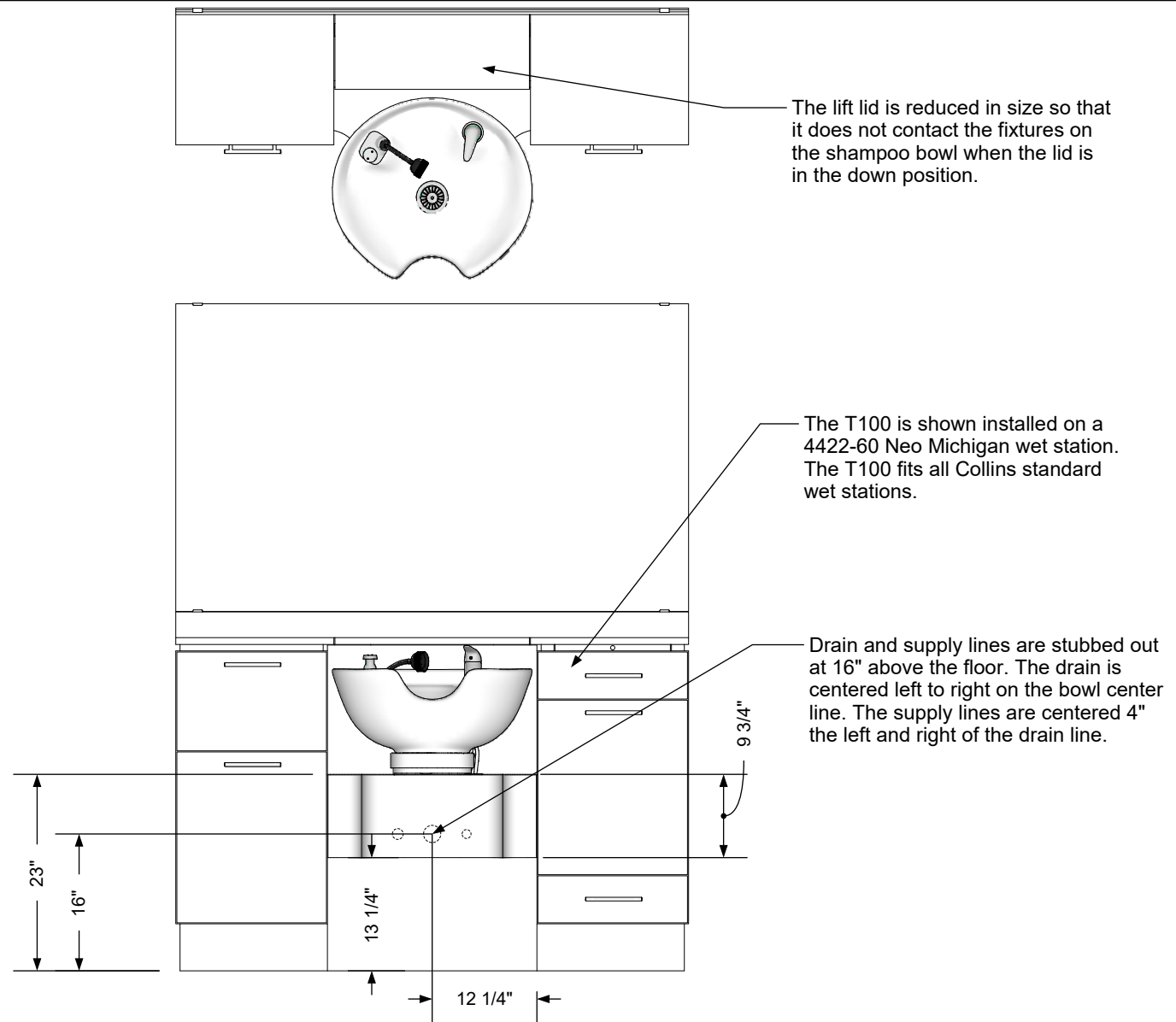
Assembly required - yes  
 Electrical required - no  
 Plumbing required - yes  
 Wall blocking required - see notes  
 COM yardage/laminate usage - 10 sf  
 Floating - cabinet-mounted  
 Other (specify) - n/a  
 Other (specify) - n/a

### Specification Drawing

This **Specification Drawing** is intended for communicating the basic description, function, appearance, dimensions, features, and installation of an item as manufactured by Collins Manufacturing Company. Because this drawing does not contain project specific information such as quantities, finishes, or options, it is not an approval drawing and does not require a signature. This drawing remains the property of Collins Manufacturing Company and must not be used against the interests of Collins Manufacturing Company.

### Product Information

<b>collins</b>		Collins Manufacturing 2000 Bowser Road Cookeville, TN 38506	
Name: <b>Tilting Shampoo Bowl Add-On</b>			
Size: <b>NTS</b>	Part Number: <b>T100</b>	Drawn By: <b>Eng</b>	
Prepared Date: <b>5/16/22</b>	Revision Date: <b>Date</b>	Revision Number: <b>Rev #</b>	Sheet: <b>1 of 2</b>



### Stub Out Information


#### Additional Information

Assembly required - yes  
 Electrical required - no  
 Plumbing required - yes  
 Wall blocking required - see notes  
 COM yardage/laminate usage - 10 sf  
 Floating - cabinet-mounted  
 Other (specify) - n/a  
 Other (specify) - n/a

#### Specification Drawing

This **Specification Drawing** is intended for communicating the basic description, function, appearance, dimensions, features, and installation of an item as manufactured by Collins Manufacturing Company. Because this drawing does not contain project specific information such as quantities, finishes, or options, it is not an approval drawing and does not require a signature. This drawing remains the property of Collins Manufacturing Company and must not be used against the interests of Collins Manufacturing Company.

#### Product Information

		Collins Manufacturing	
		2000 Bowser Road Cookeville, TN 38506	
Name: <b>Tilting Shampoo Bowl Add-On</b>			
Size: <b>NTS</b>	Part Number: <b>T100</b>	Drawn By: <b>Eng</b>	
Prepared Date: <b>5/16/22</b>	Revision Date: <b>Date</b>	Revision Number: <b>Rev #</b>	Sheet: <b>2 of 2</b>