



BLUSH SHAMPOO SHUTTLE

SKU:2890



Elevate the salon experience for your clients with Blush Shampoo Shuttle. This sleek and sophisticated chair is designed with both luxury and convenience in mind.

Its aesthetic exudes elegance, while the comfortable motorized footrest ensures a pleasant experience. The chair features motorized front-to-back adjustment to accommodate clients of different heights, with controls easily accessible to the stylist or client's left side. The tilting shampoo bowl, mounted on a solid surface counter top, provides ultimate relaxation. Make this essential piece of furniture a part of your salon today.

Specify shampoo bowl color, laminated chassis color, and upholstery color when ordering. Solid surface top available in Arctic White only.

TECHNICAL INFORMATION

- Width between the arms 23"
- Width outside the arms 31.5"
- Height to the top of the back 33"
- Height to top of seat 18.5"
- Depth of seat 20.5"
- Overall depth 46"
- Overall depth w/ footrest & chair completely extended 69"
- 2Amps - Power requirement that plugs into standard 120V receptacle

SHIPPING INFORMATION

Item generally ships via Freight(Truck) service

- Weight 250 lbs
- Dimensions: 32"W x 48"D x 42"H
- Bowl weight 72 lbs
- Bowl dimensions 26"L x 26"W x 25"H

WARRANTY

3 Year:

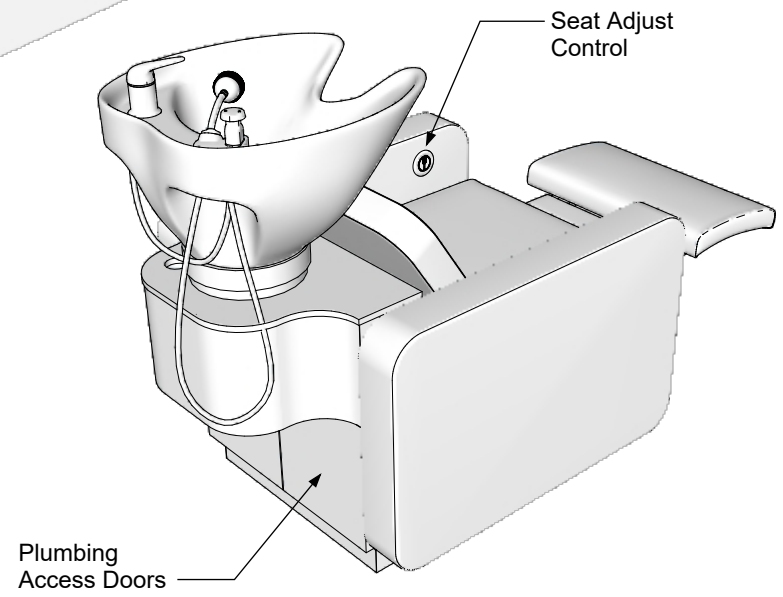
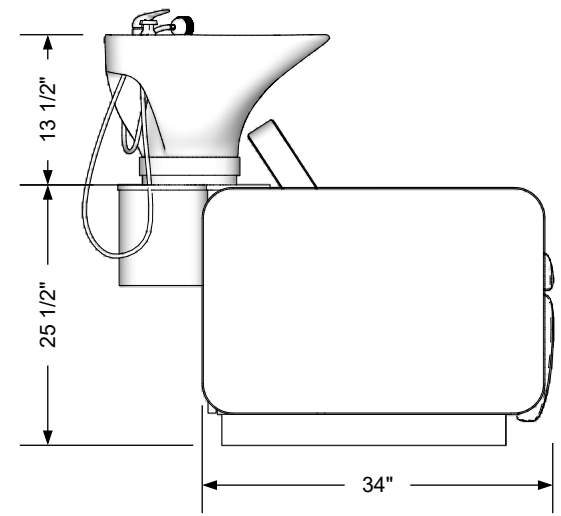
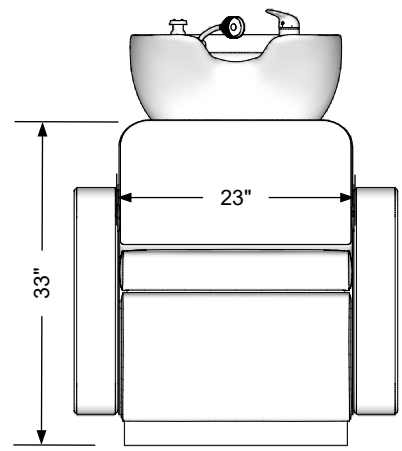
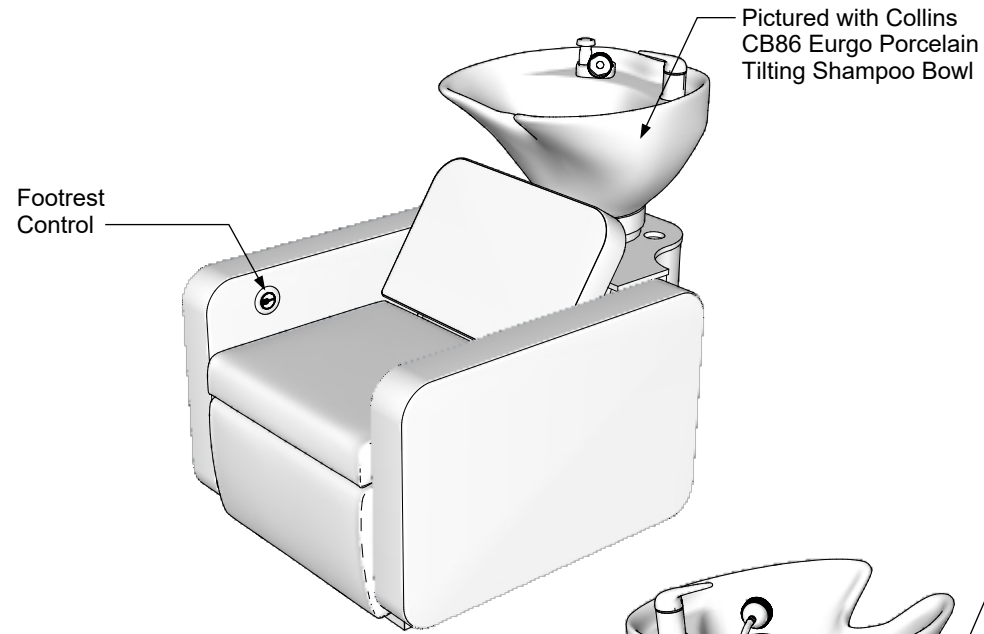
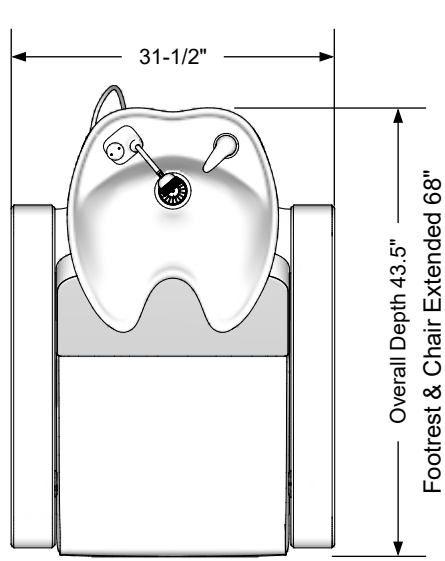
- Molded urethane arms
- Cabinet drawer-slides

2 Year:

- All Shampoo Bowls
- Vacuum breakers

1 Year:

- All remaining components, unless noted otherwise



Additional Information

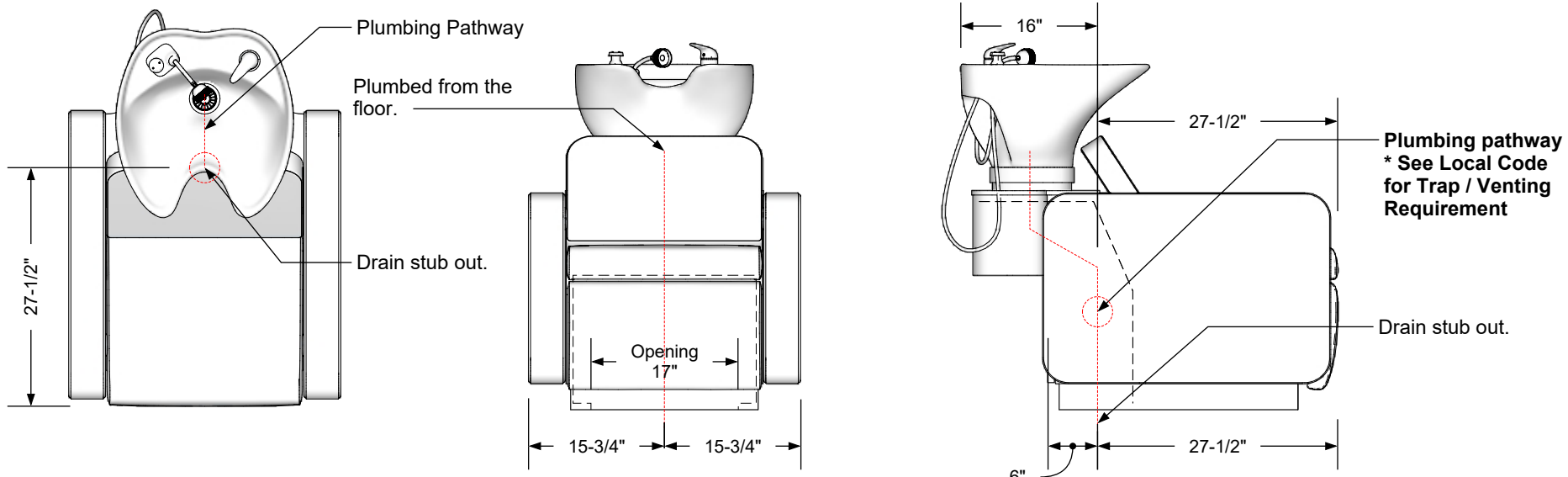
Assembly required - yes
 Electrical required - yes
 Plumbing required - yes
 Wall blocking required - no
 Other (specify) - n/a
 Other (specify) - n/a
 Other (specify) - n/a
 Other (specify) - n/a

Specification Drawing

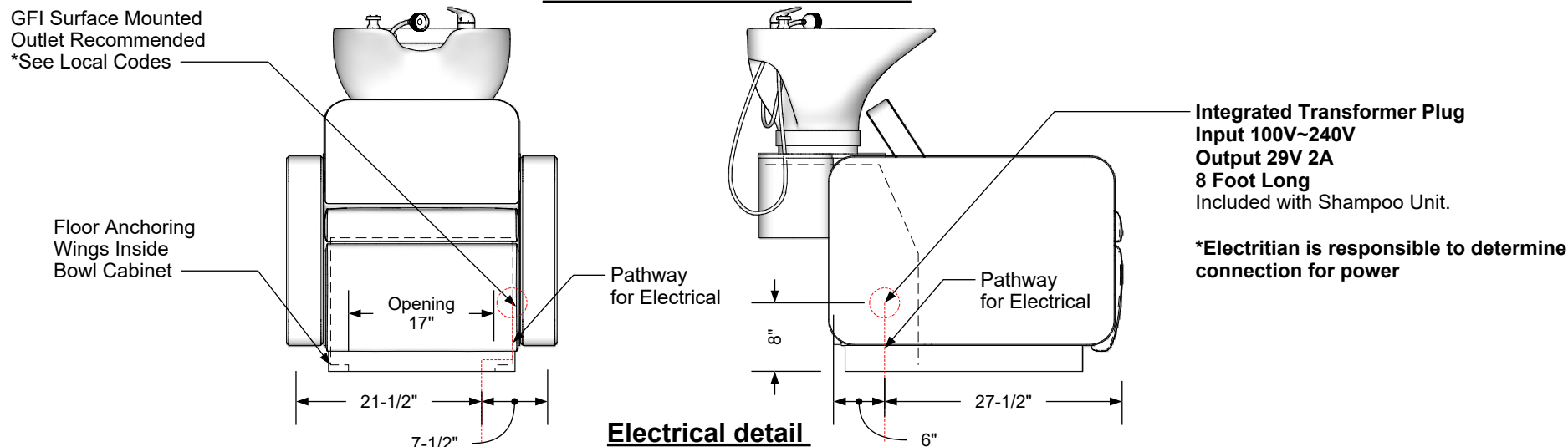
This **Specification Drawing** is intended for communicating the basic description, function, appearance, dimensions, features, and installation of an item as manufactured by Collins Manufacturing Company. Because this drawing does not contain project specific information such as quantities, finishes, or options, it is not an approval drawing and does not require a signature. This drawing remains the property of Collins Manufacturing Company and must not be used against the interests of Collins Manufacturing Company.

Product Information

collins		Collins Manufacturing 2000 Bowser Road Cookeville, TN 38506	
Name: Blush Shampoo Shuttle			
Size: NTS	Part Number: 2890	Drawn By: Eng	
Prepared Date: 8/2/24	Revision Date: 8/15/24	Revision Number: REV1	Sheet: 1 of 3



Plumbing stub out detail
***Please Consult Local Codes**



Electrical detail
***Please Consult Local Codes**

Additional Information

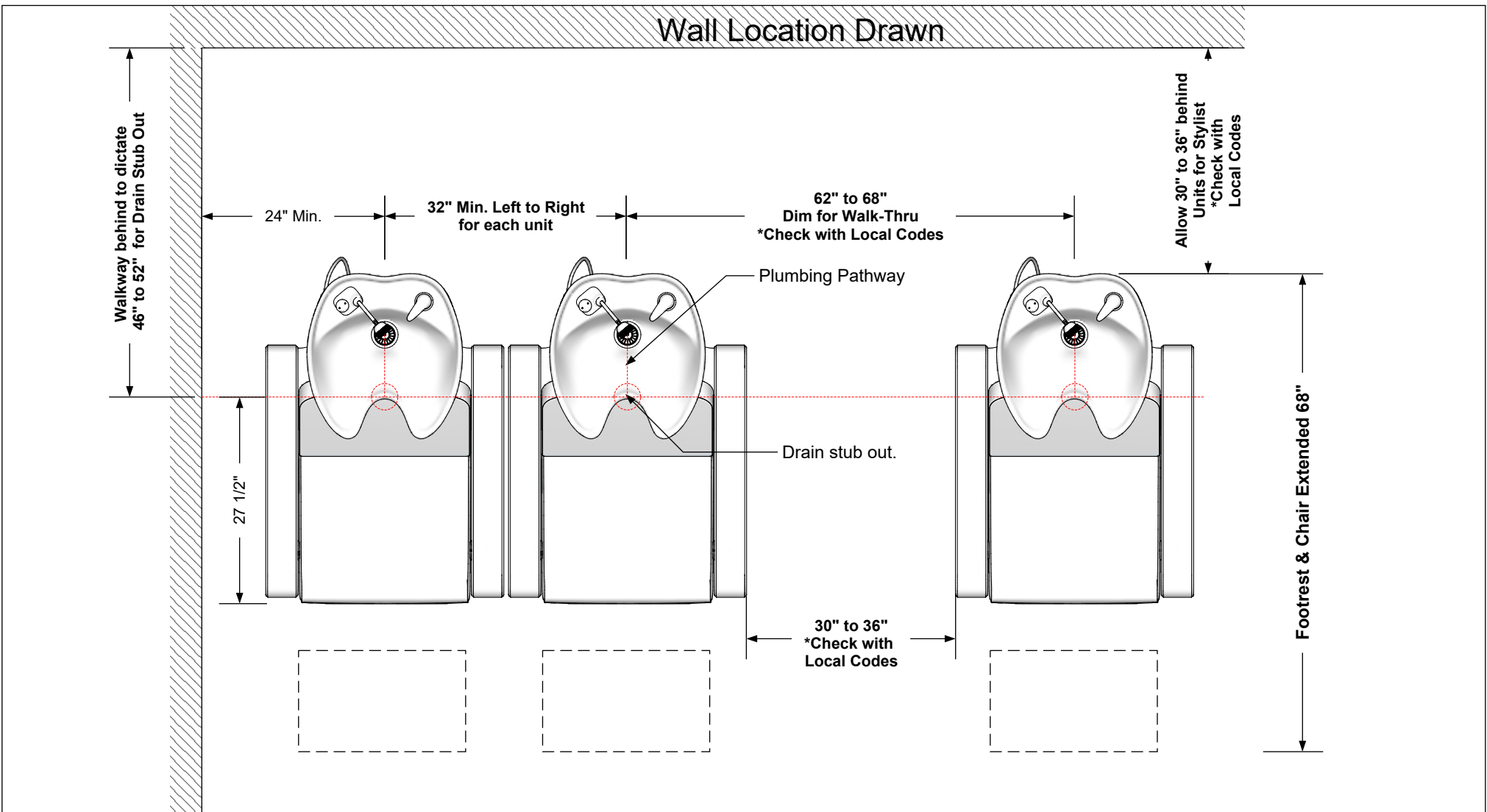
- Assembly required - yes
- Electrical required - yes
- Plumbing required - yes
- Wall blocking required - no
- Other (specify) - n/a
- Other (specify) - n/a
- Other (specify) - n/a
- Other (specify) - n/a

Specification Drawing

This **Specification Drawing** is intended for communicating the basic description, function, appearance, dimensions, features, and installation of an item as manufactured by Collins Manufacturing Company. Because this drawing does not contain project specific information such as quantities, finishes, or options, it is not an approval drawing and does not require a signature. This drawing remains the property of Collins Manufacturing Company and must not be used against the interests of Collins Manufacturing Company.

Product Information

		Collins Manufacturing 2000 Bowser Road Cookeville, TN 38506	
		Name: Blush Shampoo Shuttle	
Size: NTS	Part Number: 2890	Drawn By: Eng	
Prepared Date: 8/2/24	Revision Date: 8/15/24	Revision Number: REV1	Sheet: 2 of 3



Multi Unit Recommended Spacing Configuration
***Please Consult Local Codes**

Additional Information

Assembly required - yes
 Electrical required - yes
 Plumbing required - yes
 Wall blocking required - no
 Other (specify) - n/a
 Other (specify) - n/a
 Other (specify) - n/a
 Other (specify) - n/a

Specification Drawing

This **Specification Drawing** is intended for communicating the basic description, function, appearance, dimensions, features, and installation of an item as manufactured by Collins Manufacturing Company. Because this drawing does not contain project specific information such as quantities, finishes, or options, it is not an approval drawing and does not require a signature. This drawing remains the property of Collins Manufacturing Company and must not be used against the interests of Collins Manufacturing Company.

Product Information

		Collins Manufacturing 2000 Bowser Road Cookeville, TN 38506	
Name: Blush Shampoo Shuttle			
Size: NTS	Part Number: 2890	Drawn By: Eng	
Prepared Date: 8/2/24	Revision Date: 8/15/24	Revision Number: REV1	Sheet: 3 of 3