



REVE WAITING BENCH

SKU:497-44

Reve Waiting Area Bench, finished on all sides. Removable seat cushion yields hidden toy chest/storage.



TECHNICAL INFORMATION

- Measures: 44"W x 22"D x 19"H
- Finished on all sides
- Upholstered cushion top
- Removable seat cushion reveals hidden storage

SHIPPING INFORMATION

Item generally ships via Freight(Truck) service

- Weight: 140 lbs
- Dimensions: 48"L x 32"W x 28"H

WARRANTY

7.5 Years:

- Models 3500, 4500, 5550 Foot Operated Hydraulic Pumps

5 years:

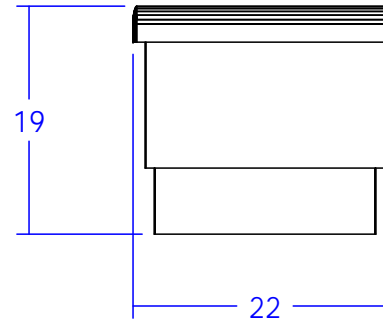
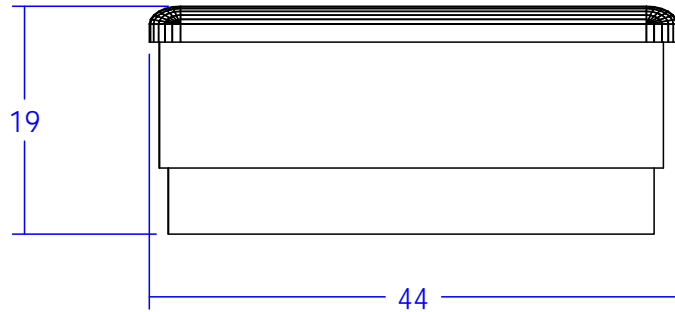
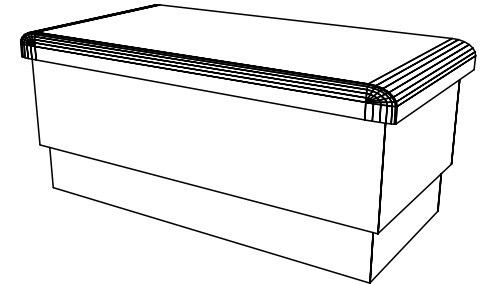
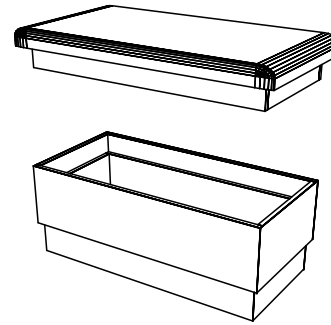
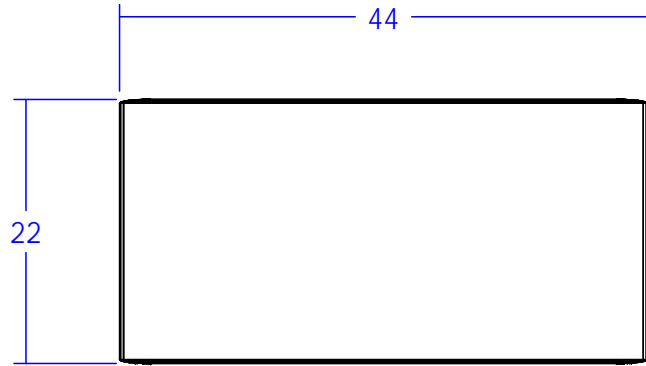
- Collins Comfort Zone anti-fatigue mats
- All purpose and shampoo chair back reclining mechanisms

3 Years:

- BKB Electric Base
- Molded urethane arms
- Upholstery

1 year:

- All remaining components, unless otherwise noted




Quantity -

Finish Schedule -

Face Color -
 Top Color -
 Toe Color -
 Reveal / Accent Color -
 Hardware -
 Interior -
 Other (Specify) -

This drawing is the property of Collins Manufacturing Company and is protected under copyright law.

 Collins Manufacturing 2000 Bowser Road Cookeville, TN 38506		
Title: Reve		
Size: NTS	Drawing Number: Reve	Drawn By:
Date: 12/11/08	Sheet	1 of 1