



REVE STYLING ISLAND

SKU:469-63

Stunning and state-of-the-art, the Reve Collection is designed to add a touch of elegance and sophistication.

Made for two back-to-back stylists, the Reve Island features sleek lines, clean simple style with no visible hardware, making this unit perfect for any salon.



TECHNICAL INFORMATION

- Measures: 63"W x 29"D x 81"H
- Full-extension drawer
- Cabinet w/ adjustable shelf
- 30" x 48" mirror
- Ledge
 - Blow dryer
 - Flat-iron
 - 2" Curling iron
- Quad electrical outlet for each stylist, wired on-site by electrician

SHIPPING INFORMATION

Item generally ships via Freight(Truck) service

- Weight: 383 lbs
- Dimensions: 2 SKID

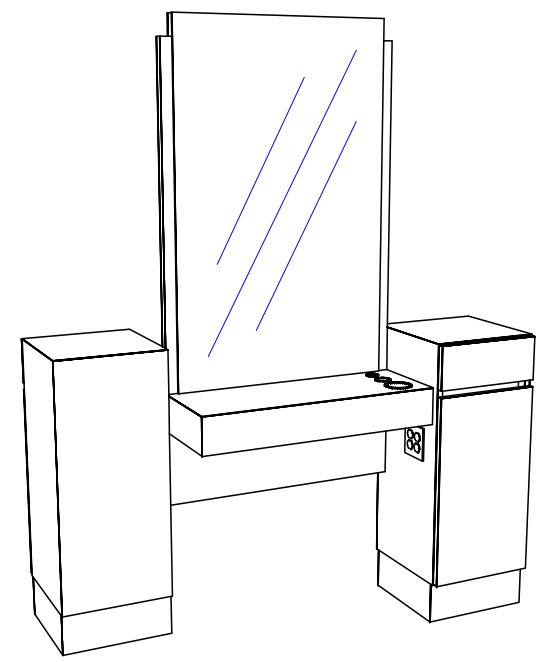
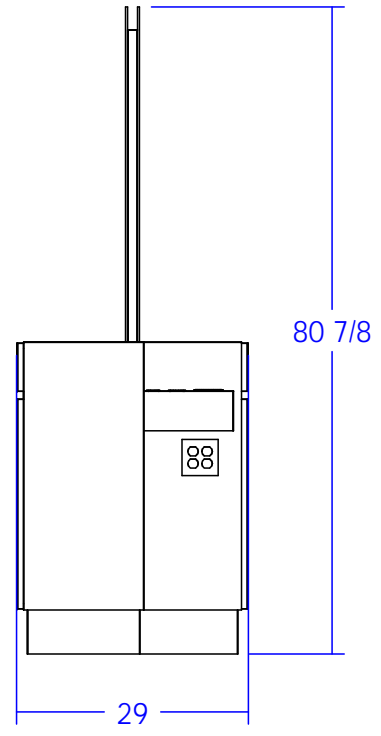
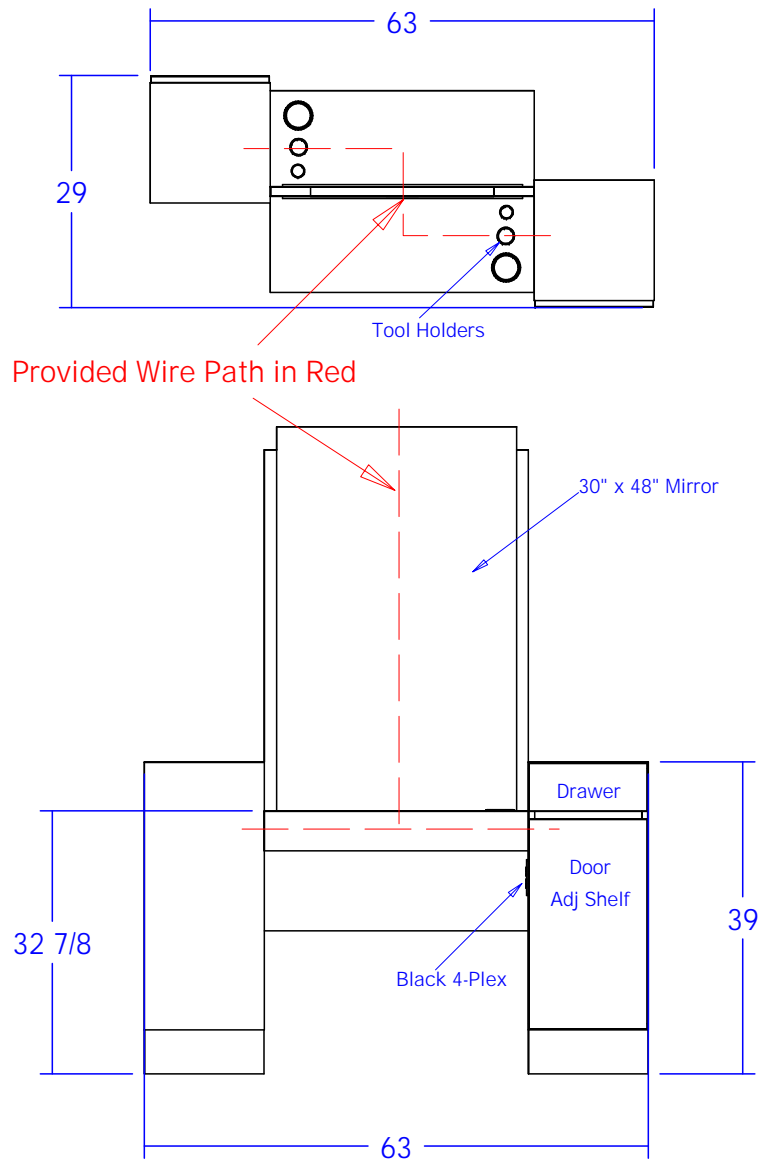
WARRANTY

3 Years:

- Ball-Bearing Drawer Slides
- Cabinet hinges

1 Year:


- All remaining components, unless noted otherwise, are guaranteed for a period of one year from the date of purchase.



Quantity -

Finish Schedule -
Face Color -
Top Color -
Toe Color -
Reveal / Accent Color -
Hardware -
Interior -
Other (Specify) -

This drawing is the property of Collins Manufacturing Company and is protected under copyright law.

 Collins Manufacturing 2000 Bowser Road Cookeville, TN 38506		
Title: Reve		
Size: NTS	Drawing Number: Reve	Drawn By:
Date: 12/09/08	Sheet	1 of 1