



REVE STYLING ISLAND WITH RETAIL

SKU:470-63

Stunning and state-of-the-art, the Reve Collection is designed to add a touch of elegance and sophistication.

Made for two back-to-back stylists, the Reve Island features retail shelving, sleek lines, clean simple style with no visible hardware, making this unit perfect for any salon



TECHNICAL INFORMATION

- Measures: 63"W x 29"D x 81"H
- Full-extension drawer
- Cabinet w/ adjustable shelf
- Retail display w/ glass shelves
- 30" x 48" mirror
- Ledge
 - Blow dryer
 - Flat-iron
 - 2" Curling iron
- Quad electrical outlet for each stylist, wired on-site by electrician

SHIPPING INFORMATION

Item generally ships via Freight(Truck) service

- Weight: 420 lbs
- Dimensions: 1 skid 2 cartons

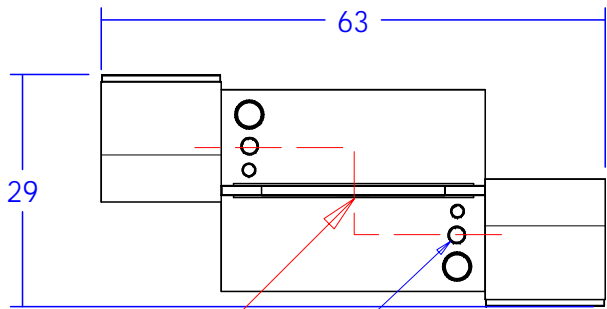
WARRANTY

3 Years:

- Ball-Bearing Drawer Slides
- Cabinet hinges

1 Year:

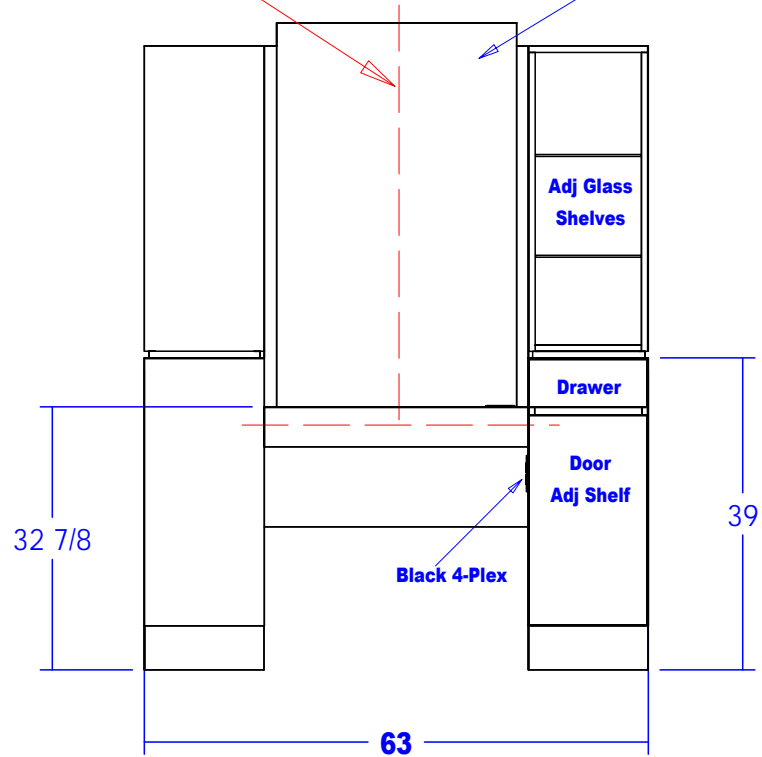
- All remaining components, unless noted otherwise, are guaranteed for a period of one year from the date of purchase.



Tool Holders

Provided Wire Path in Red

30" x 48" Mirror



Adj Glass Shelves

Drawer

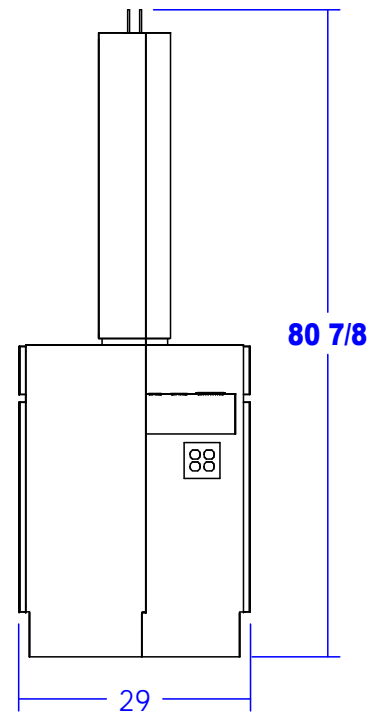
Door Adj Shelf

Black 4-Plex

39

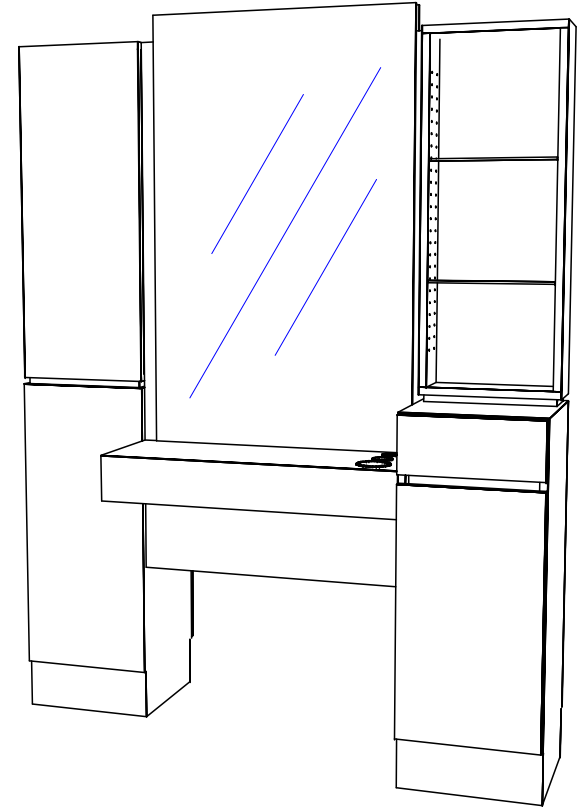
32 7/8

63



80 7/8

29



Finish Schedule -

Face Color -
 Top Color -
 Toe Color -
 Reveal / Accent Color -
 Hardware -
 Interior -
 Other (Specify) -

This drawing is the property of Collins Manufacturing Company and is protected under copyright law.

collins Collins Manufacturing
 2000 Bowser Road
 Cookeville, TN 38506

Title: **470-63 Reve Retail Island**

Size: NTS Drawing Number: Reve Drawn By:

Date: 12/09/08 Sheet 1 of 1