



QSE EXTRA WET STATION

SKU:5515-66

Our Quick Ship Wet Booth is a great solution for your salon and spa. A smart design, this wet booth includes extra storage options, **generous** counter space, and built-in tool holder.

TECHNICAL INFORMATION

- Measures: 66"W x 16"D x 78"H
- 2 Drawer cabinet w/ adjustable shelf
- Shampoo well w/ lift lid
- Tilt-out clean towel storage
- Tilt-out soiled towel hamper
- Upper storage cabinet w/ adjustable shelves
- 36" x 42" Mirror
- 6 Outlet power strip
- Tool panel
 - Blow dryer
 - Flat iron
 - 1" Curling iron
 - 2" Curling iron
 - Clippers
- Pictured w/ CBI9 Shampoo Bowl, ordered separately

SHIPPING INFORMATION

Item generally ships via Freight(Truck) service

- Weight: 440 lbs
- Dimensions: 32X72X70

WARRANTY

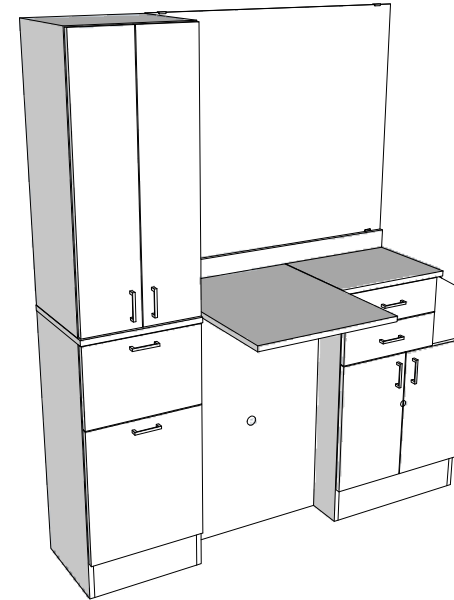
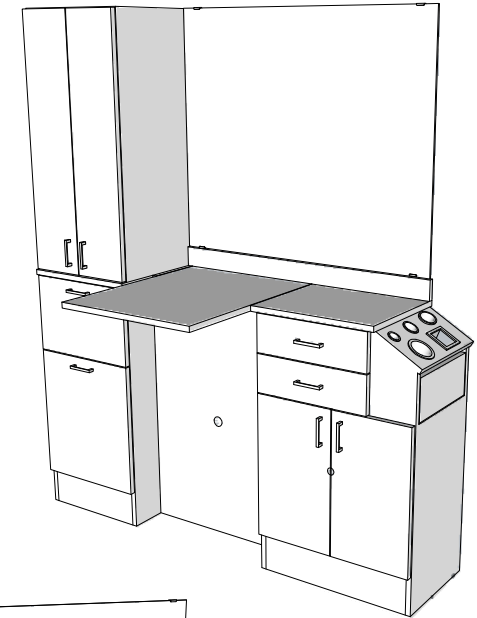
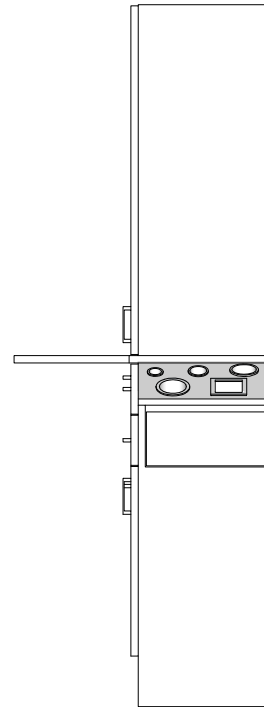
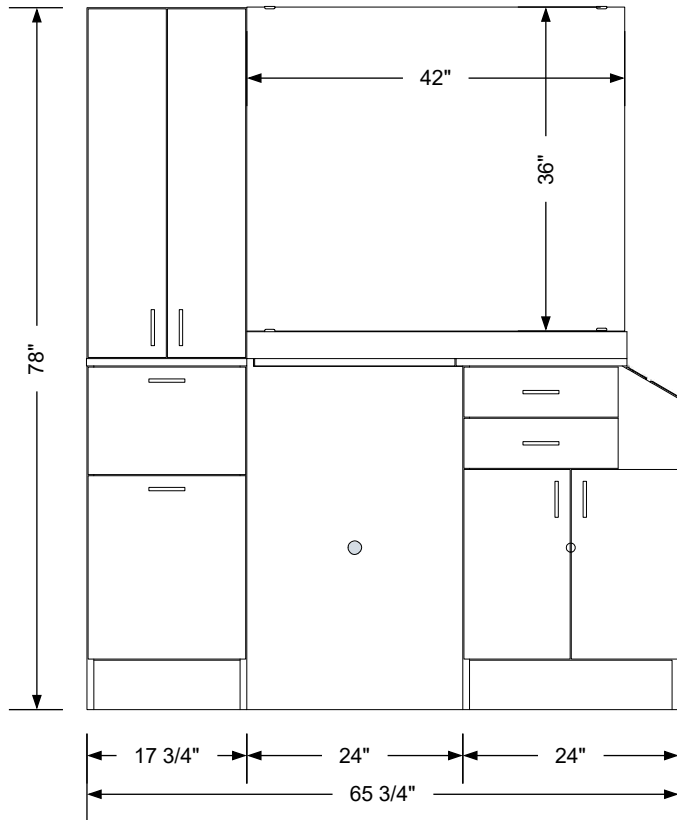
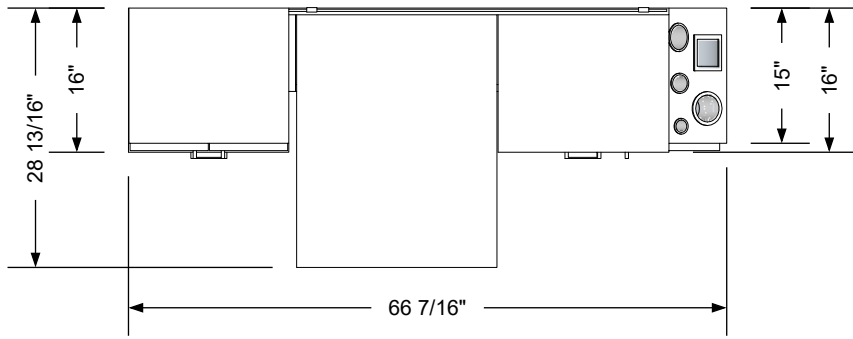
3 Years:

- Ball-Bearing Drawer Slides
- Cabinet hinges

1 Year:

- All remaining components, unless noted otherwise, are guaranteed for a period of one year from the date of purchase.






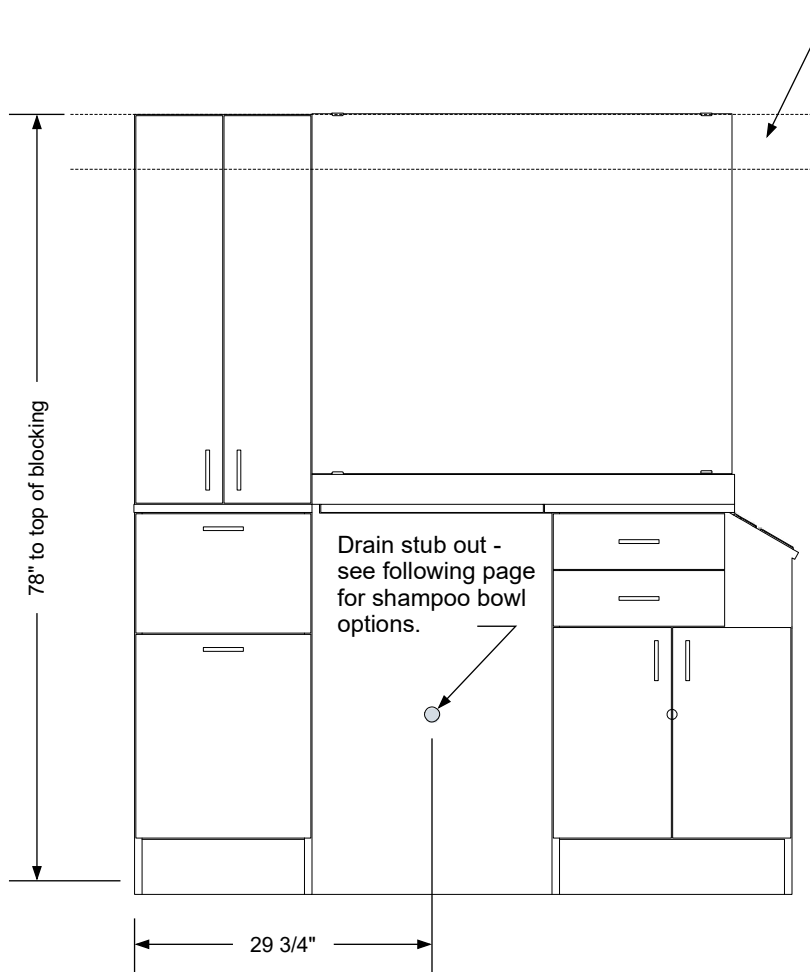
Additional Information

Assembly required - yes
 Electrical required - yes
 Plumbing required - yes
 Wall blocking required - yes
 COM yardage/laminate usage - 76 sf
 5 1/2" h laminated toe + 1/4" h glides
 Other (specify) - n/a
 Other (specify) - n/a

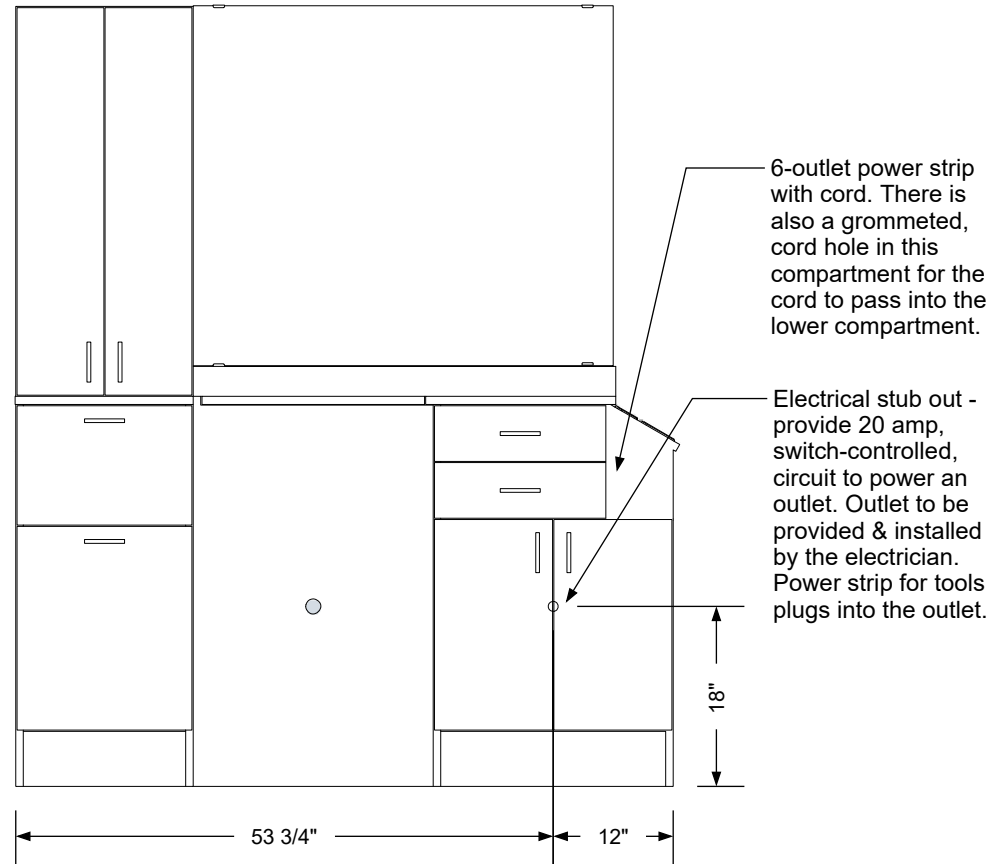
Specification Drawing

This **Specification Drawing** is intended for communicating the basic description, function, appearance, dimensions, features, and installation of an item as manufactured by Collins Manufacturing Company. Because this drawing does not contain project specific information such as quantities, finishes, or options, it is not an approval drawing and does not require a signature. This drawing remains the property of Collins Manufacturing Company and must not be used against the interests of Collins Manufacturing Company.

		Collins Manufacturing	
		2000 Bowser Road Cookeville, TN 38506	
Title: QSE Extra 39Hi Wet Station			
Size: NTS	Part Number: 5515-66	Drawn By: Eng	
Prepared Date: 4/22/21	Revision Date: Date	Revision Number: Rev #	Sheet: 1 of 3



Plumbing stub out and blocking detail



Electrical stub out detail

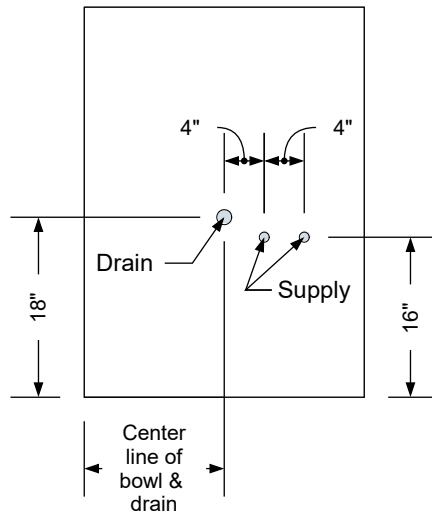
Additional Information

Assembly required - yes
 Electrical required - yes
 Plumbing required - yes
 Wall blocking required - yes
 COM yardage/laminate usage - 76 sf
 5 1/2"h laminated toe + 1/4"h glides
 Other (specify) - n/a
 Other (specify) - n/a

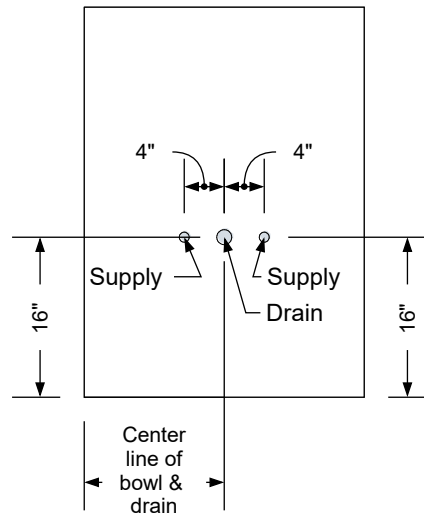
Specification Drawing

This **Specification Drawing** is intended for communicating the basic description, function, appearance, dimensions, features, and installation of an item as manufactured by Collins Manufacturing Company. Because this drawing does not contain project specific information such as quantities, finishes, or options, it is not an approval drawing and does not require a signature. This drawing remains the property of Collins Manufacturing Company and must not be used against the interests of Collins Manufacturing Company.

		Collins Manufacturing 2000 Bowser Road Cookeville, TN 38506	
Title: QSE Extra 39Hi Wet Station			
Size: NTS	Part Number: 5515-66	Drawn By: Eng	
Prepared Date: 4/22/21	Revision Date: Date	Revision Number: Rev #	Sheet: 2 of 3

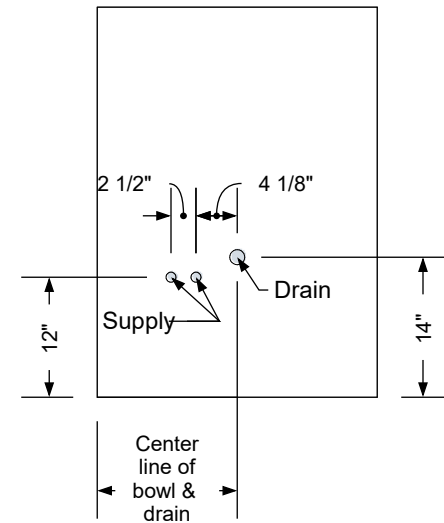


Standard Shampoo Bowl



T100 w/ Tilting Shampoo Bowl

Note: Lift Lid Must Be Reduced In Size To Use This Option.



K100 Adjust-A-Sink Shampoo Bowl

Note: Lift Lid Must Be Reduced In Size To Use This Option.

Typical Collins Shampoo Bowl Options

Additional Information

Assembly required - yes
 Electrical required - yes
 Plumbing required - yes
 Wall blocking required - yes
 COM yardage/laminate usage - 76 sf
 5 1/2"h laminated toe + 1/4"h glides
 Other (specify) - n/a
 Other (specify) - n/a

Specification Drawing

This **Specification Drawing** is intended for communicating the basic description, function, appearance, dimensions, features, and installation of an item as manufactured by Collins Manufacturing Company. Because this drawing does not contain project specific information such as quantities, finishes, or options, it is not an approval drawing and does not require a signature. This drawing remains the property of Collins Manufacturing Company and must not be used against the interests of Collins Manufacturing Company.

		Collins Manufacturing 2000 Bowser Road Cookeville, TN 38506	
Title: QSE Extra 39Hi Wet Station			
Size: NTS	Part Number: 5515-66	Drawn By: Eng	
Prepared Date: 4/22/21	Revision Date: Date	Revision Number: Rev #	Sheet: 2 of 3