



BRADFORD WET STATION WITH TILTING BOWL

SKU:879-54-4



With the Bradford Wet Station you can design the perfect space. Create a classic and stylish accent in your salon with crown molding details that enrich the space by forming an eye-catching transition between the walls and ceiling. The Queen Anne legs detail make this a timeless piece that will not go out of style. This traditional style can fit into any decor with just the change of the laminate color. Includes T100 Tilting Porcelain Bowl.

Wet booths allow the guest to conveniently stay in the same seat for shampooing and styling. They are perfect for small spaces, barber shops or elderly care salons.

TECHNICAL INFORMATION

- Measures: 54"W x 15"D x 72"H
- Recessed bottle wells
- Fully-equipped tip-out tool panel
- 2 Full extension drawers
- 1 Lower storage cabinet
- Upper storage cabinets w/ adjustable shelves
- Queen Anne legs
- Crown molding
- Accent molding
- T100 Tilting bowl
- Light wired by salon

SHIPPING INFORMATION

Item generally ships via Freight(Truck) service

- Weight: 497 lbs
- Dimensions: 32"W x 60"L x 35"H

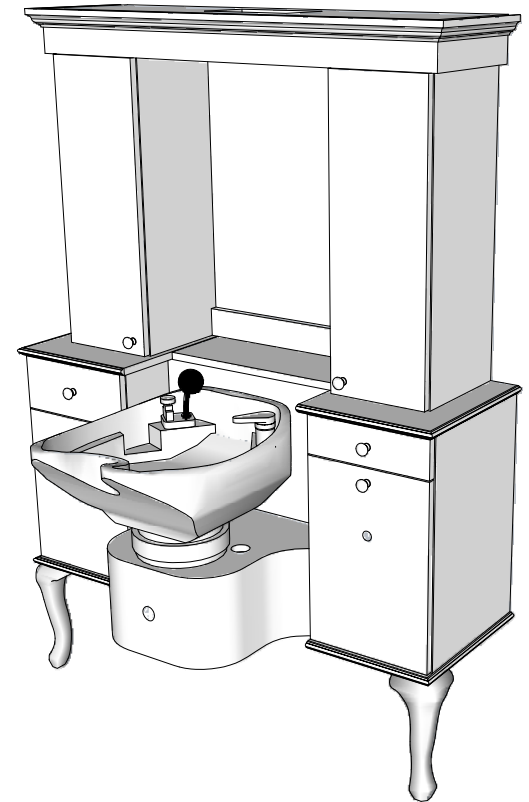
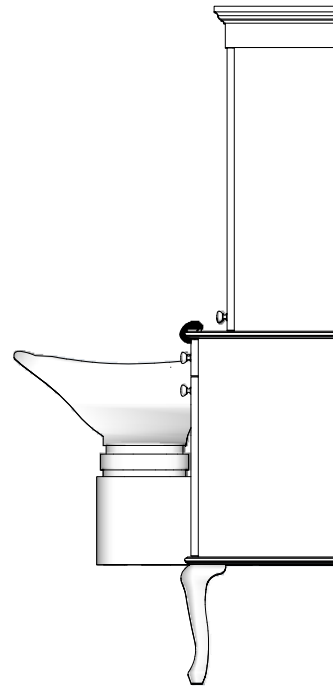
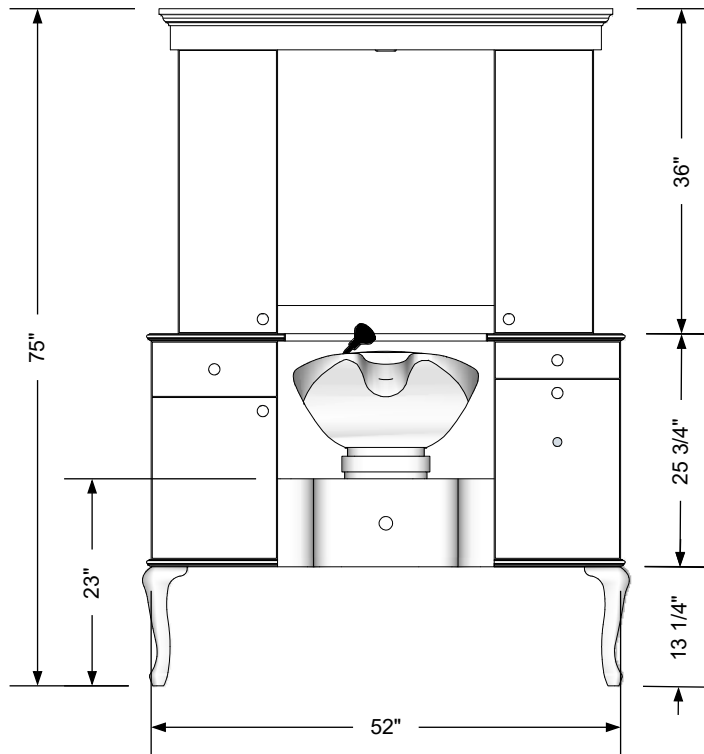
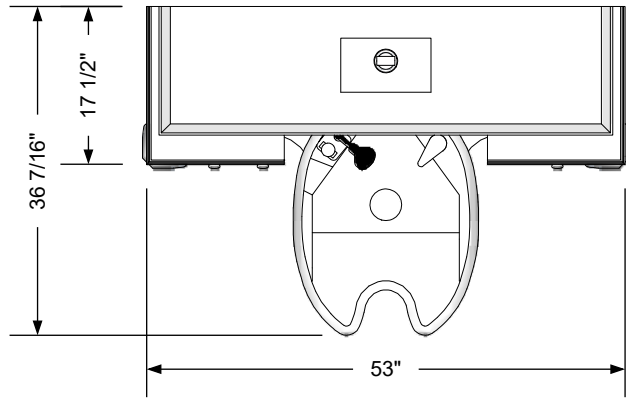
WARRANTY

3 Years:

- Ball-Bearing Drawer Slides
- Cabinet hinges

1 Year:

- All remaining components, unless noted otherwise, are guaranteed for a period of one year from the date of purchase.




Additional Information

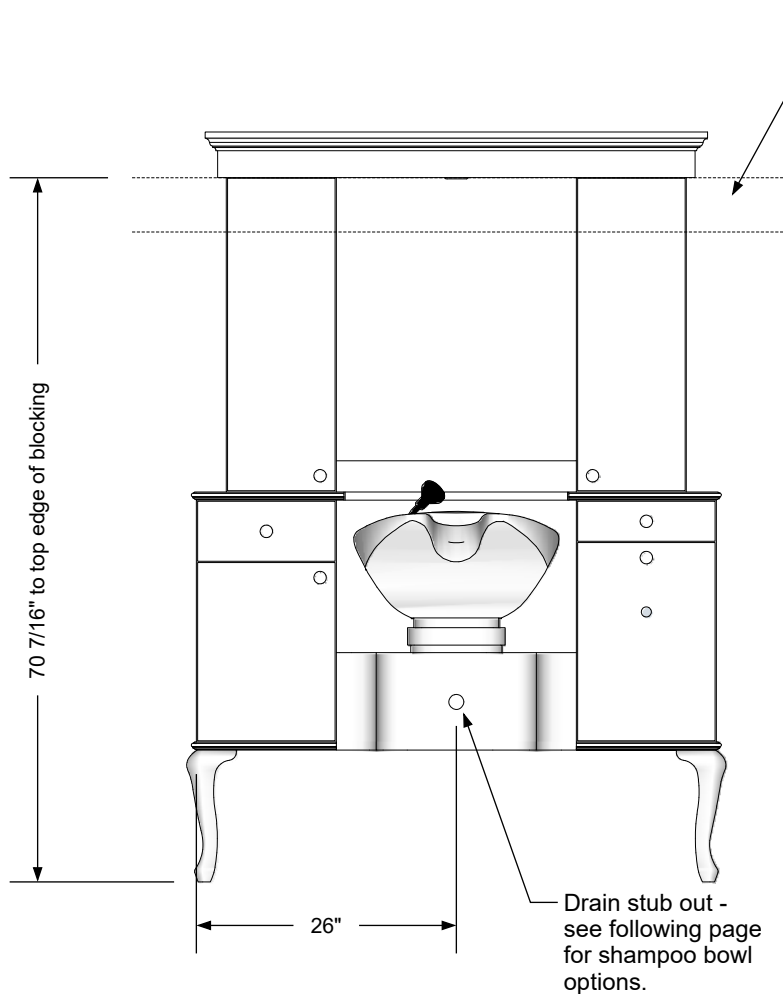
Assembly required - yes
 Electrical required - yes
 Plumbing required - yes
 Wall blocking required - yes
 COM yardage/laminate usage - 86 sf
 13 1/4" h Queen Anne legs
 Other (specify) - n/a
 Other (specify) - n/a

Specification Drawing

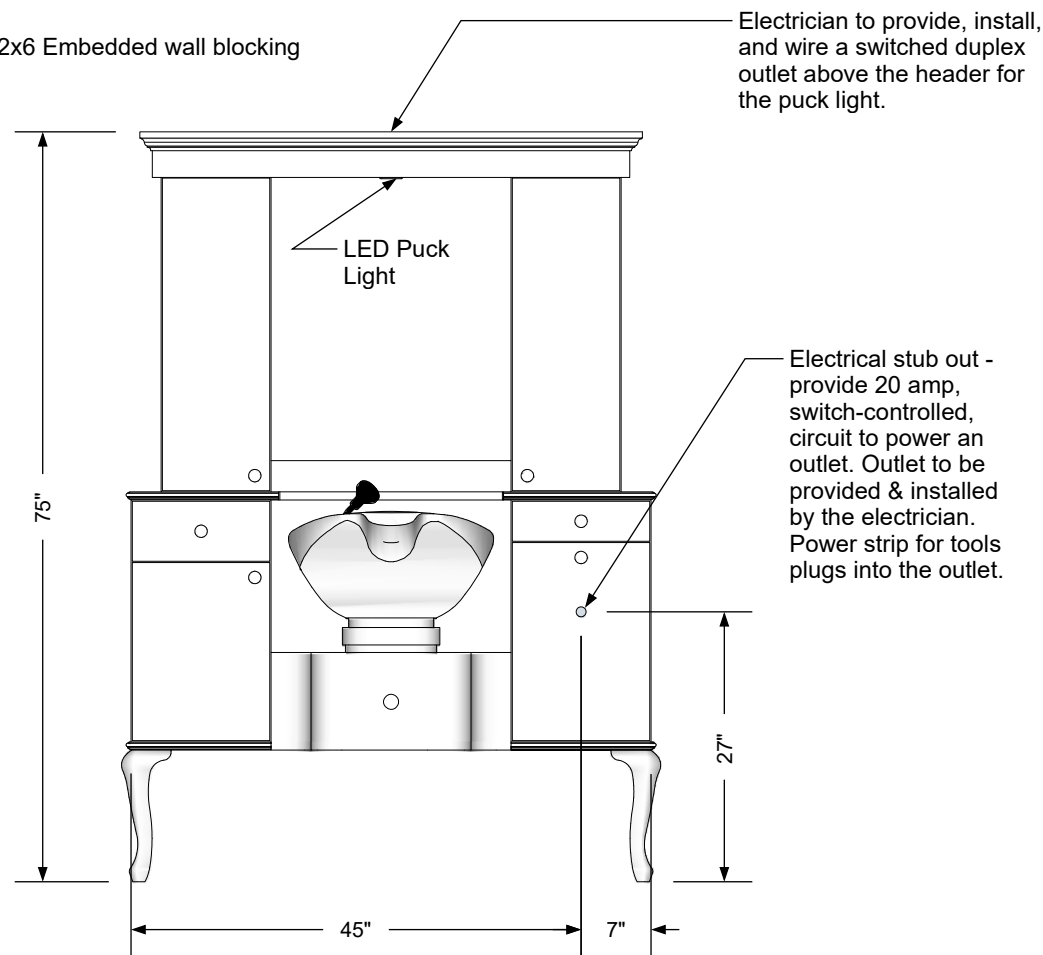
This **Specification Drawing** is intended for communicating the basic description, function, appearance, dimensions, features, and installation of an item as manufactured by Collins Manufacturing Company. Because this drawing does not contain project specific information such as quantities, finishes, or options, it is not an approval drawing and does not require a signature. This drawing remains the property of Collins Manufacturing Company and must not be used against the interests of Collins Manufacturing Company.

Product Information

		Collins Manufacturing 2000 Bowser Road Cookeville, TN 38506	
Name: Bradford B Wet Booth Unit w/ Tilting Bowl			
Size: NTS	Part Number: 879-54-4	Drawn By: Eng	
Prepared Date: 3/22/21	Revision Date: Date	Revision Number: Rev #	Sheet: 1 of 3



Plumbing stub & blocking detail



Electrical stub out detail

Additional Information

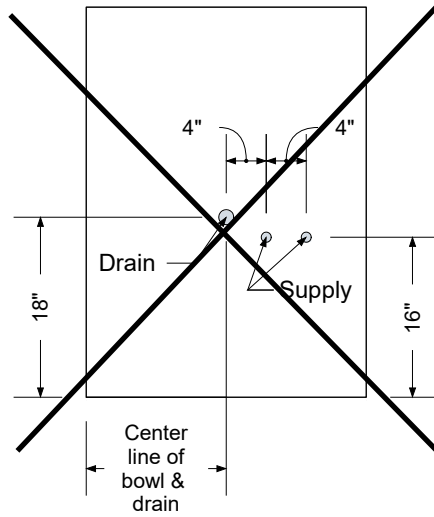
Assembly required - yes
 Electrical required - yes
 Plumbing required - yes
 Wall blocking required - yes
 COM yardage/laminate usage - 86 sf
 13 1/4"h Queen Anne legs
 Other (specify) - n/a
 Other (specify) - n/a

Specification Drawing

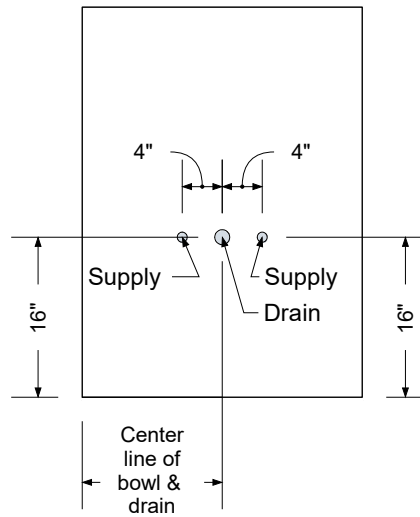
This **Specification Drawing** is intended for communicating the basic description, function, appearance, dimensions, features, and installation of an item as manufactured by Collins Manufacturing Company. Because this drawing does not contain project specific information such as quantities, finishes, or options, it is not an approval drawing and does not require a signature. This drawing remains the property of Collins Manufacturing Company and must not be used against the interests of Collins Manufacturing Company.

Product Information

collins		Collins Manufacturing 2000 Bowser Road Cookeville, TN 38506	
Name: Bradford B Wet Booth Unit w/ Tilting Bowl			
Size: NTS	Part Number: 879-54-4	Drawn By: Eng	
Prepared Date: 3/22/21	Revision Date: Date	Revision Number: Rev #	Sheet: 2 of 3

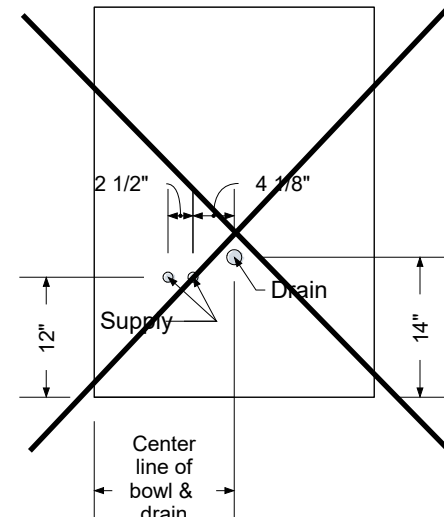


Standard Shampoo Bowl



T100 w/ Tilting Shampoo Bowl

Note: Lift Lid Must Be Reduced In Size To Use This Option.



K100 Adjust-A-Sink Shampoo Bowl

Note: Lift Lid Must Be Reduced In Size To Use This Option.

Typical Collins Shampoo Bowl Options

Additional Information

Assembly required - yes
 Electrical required - yes
 Plumbing required - yes
 Wall blocking required - yes
 COM yardage/laminate usage - 86 sf
 13 1/4"h Queen Anne legs
 Other (specify) - n/a
 Other (specify) - n/a

Specification Drawing

This **Specification Drawing** is intended for communicating the basic description, function, appearance, dimensions, features, and installation of an item as manufactured by Collins Manufacturing Company. Because this drawing does not contain project specific information such as quantities, finishes, or options, it is not an approval drawing and does not require a signature. This drawing remains the property of Collins Manufacturing Company and must not be used against the interests of Collins Manufacturing Company.

Product Information

		Collins Manufacturing 2000 Bowser Road Cookeville, TN 38506	
Name: Bradford B Wet Booth Unit w/ Tilting Bowl			
Size: NTS	Part Number: 879-54-4	Drawn By: Eng	
Prepared Date: 3/22/21	Revision Date: Date	Revision Number: Rev #	Sheet: 3 of 3