



ENOVA CASUAL TABLE

SKU:955-18

Enova Casual Table for reception area



TECHNICAL INFORMATION

- Measures: 18"W x 18"D x 18"H
- Tubular-steel legs
- Inquire about sizes

SHIPPING INFORMATION

Item generally ships via Parcel (Fedex/UPS) service

- Weight: 60 lbs
- Dimensions: 23"L x 21"W x 28"H

WARRANTY

7.5 Years:

- Models 3500, 4500, 5550 Foot Operated Hydraulic Pumps

5 years:

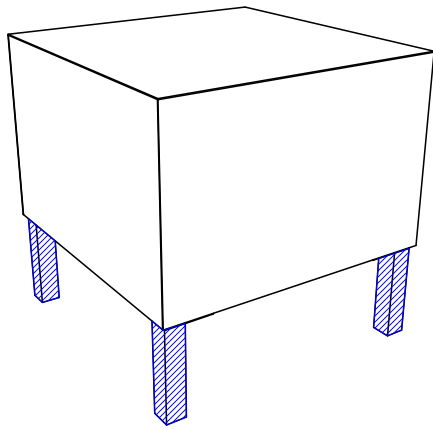
- Collins Comfort Zone anti-fatigue mats
- All purpose and shampoo chair back reclining mechanisms

3 Years:

- BKB Electric Base
- Molded urethane arms
- Upholstery

1 year:

- All remaining components, unless otherwise noted



This cabinet is shipped fully assembled.
No further assembly or installation is required.

Quantity -

Finish Schedule -

Face Color -
Top Color -
Toe Color -
Reveal / Accent Color -
Hardware -
Interior -
Other (Specify) -

General Notes:

1. All counter tops are to be made removable wherever possible.
2. Items must be broken into manageable sections For Shipping. Mark For Ease Of Reassembly.
3. Install Shipping Cleats Wherever Possible To Prevent Shipping Damage.
4. Purchased items Must Be Trial Fit Before Shipping.

#1

collins		Collins Manufacturing 2000 Bowser Road Cookeville, TN 38506	
Title: X			
Size: NTS	Drawing Number: X	Drawn By:	
Date: 03/05/08	Sheet	4 of 4	