



ENOVA COLOR CENTER

SKU:972-60



A well-organized salon means a more efficient operation. This Enova Color Center gives your hair colorist everything they need at their fingertips. The cubbies and cabinet provide ample storage while the built-in sink allows them to wash their brushes and applicators as they work.

TECHNICAL INFORMATION

- Measures: 60"W x 21"D x 84"H
- 4 Rectangular-steel side supports
- Round stainless steel sink w/ goose-neck fixtures
- Color storage cubbies
- 2 Drawers
- Lower cabinet storage w/ adjustable shelves
- Backsplash
- Upper storage w/ sliding doors

SHIPPING INFORMATION

Item generally ships via Freight(Truck) service

- Weight: 542 lbs
- Dimensions: 2 SKIDS

WARRANTY

3 Years:

- Ball-Bearing Drawer Slides
- Cabinet hinges

1 Year:

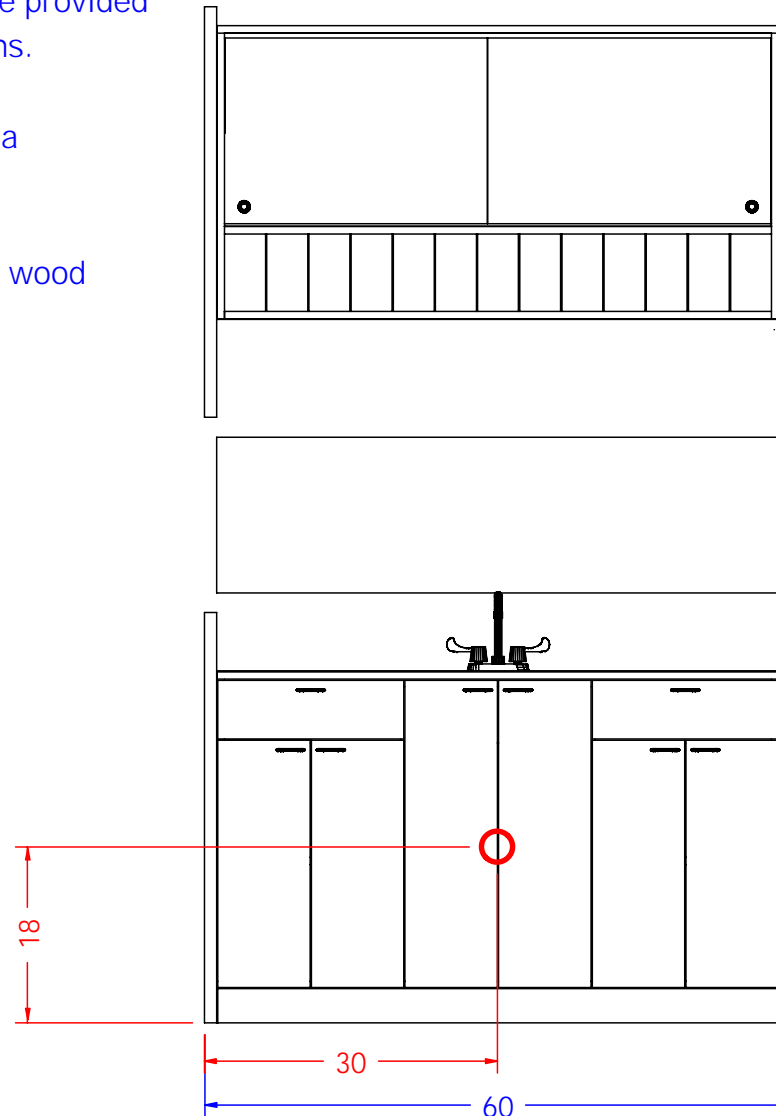
- All remaining components, unless noted otherwise, are guaranteed for a period of one year from the date of purchase.

Assembly of ENOVA Color Bar:

- 1) Position lower cabinet as desired against a framed wall, you may wish to make any cutouts for plumbing before attaching to wall. Use provide wood screws to secure the back of the lower cabinet onto the wall.
- 2) Lower upper onto lower assembly and use the provided black connector bolts to secure the two sections.
- 3) Move backsplash into place and secure with a construction adhesive or silicone.
- 4) Secure upper assembly to wall with provided wood screws through the back.


Reccomended Drain Center Shown

Faucet may be mounted toward the back or rotated to one side. Once desired location is known drill appropriate holes for supply lines.



Finish Schedule - 972-60

Face Colo
Top Color -
Toe Color -
Reveal / Accent Color -
Hardware - Enova Pulls
Interior - Black Melamine
Other (Specify) -

			Collins Manufacturing 2000 Bowser Road Cookeville, TN 38506
Title:			972-60 Enova Color Center
Size:	Drawing Number:	Drawn By:	
NTS	71216A	Zane	
Date:	Sheet		8 of 8