



PRIVATE ROOM CORNER

SKU:927-30

The Private Room Corner Vanity features a space-saving design.

TECHNICAL INFORMATION

- Measures: 30"W x 30"W x 36"H base cabinet
- 24"W x 24"W x 30"H wall-mounted upper w/ door
- Stainless steel sink
- Paddle fixtures
- Cabinet storage w/ adjustable shelves

SHIPPING INFORMATION

Item generally ships via Freight(Truck) service

- Weight: 190 lbs
- Dimensions: 48"L x 32"W x 44"H

WARRANTY

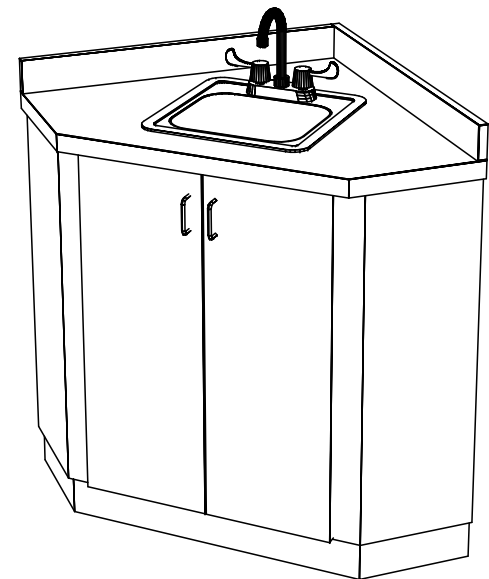
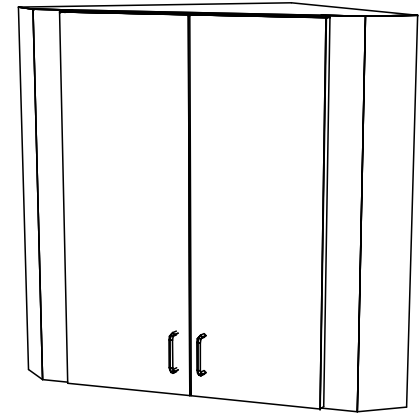
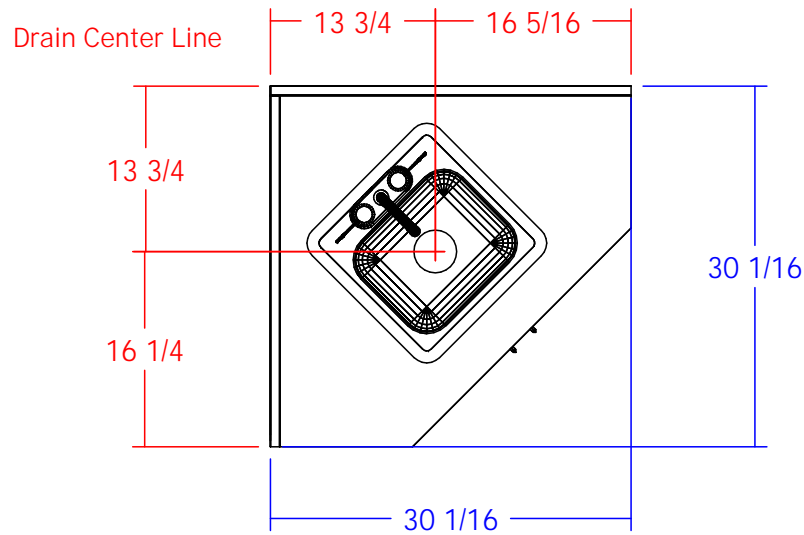
3 Years:

- Ball-Bearing Drawer Slides
- Cabinet hinges

1 Year:

- All remaining components, unless noted otherwise, are guaranteed for a period of one year from the date of purchase.





This item is attached to the wall with wood screws. 3" wood screws and decorative washers are provided for wood framed walls. Fasteners for other wall types are to be obtained locally. Screw through the back panel in locations which will be inconspicuous after installation. Suggested locations include: under shelves, behind drawers, and locations hidden by products or supplies.

Counter top joints and seams in proximity of sinks, shampoo bowls, or pedicure basins are to be sealed on-site with clear silicone caulk to prevent water intrusion and damage.

All plumbing work is to be performed by a licensed plumbing contractor and to be performed in accordance with all applicable state and local codes.


Quantity -

Finish Schedule - 927-30-1

Face Color -
 Top Color -
 Toe Color -
 Reveal / Accent Color -
 Hardware -
 Interior -
 Other (Specify) -

General Notes:

1. All counter tops are to be made removable wherever possible.
2. Items must be broken into manageable sections For Shipping. Mark For Ease Of Reassembly.
3. Install Shipping Cleats Wherever Possible To Prevent Shipping Damage.
4. Purchased items Must Be Trial Fit Before Shipping.

 Collins Manufacturing 2000 Bowser Road Cookeville, TN 38506		
Title:		
Size:	Drawing Number:	Drawn By: Eng
Date: 08/01/08	Sheet	5 of 5