



## 54511.5 COMPACT MULTI-PURPOSE

SKU:54511.5

The Compact multi-purpose portable school unit with laminated counter top.

### TECHNICAL INFORMATION

---

- Measures 30"W x 18"D x 30"H
- Appliance center
- Book ledge
- Collins simulator
- Locking casters
- Removable manicure pad

### SHIPPING INFORMATION

---

- 1 Skid
- 32"W x 48"L x 40"H
- 140 lbs

### WARRANTY

---

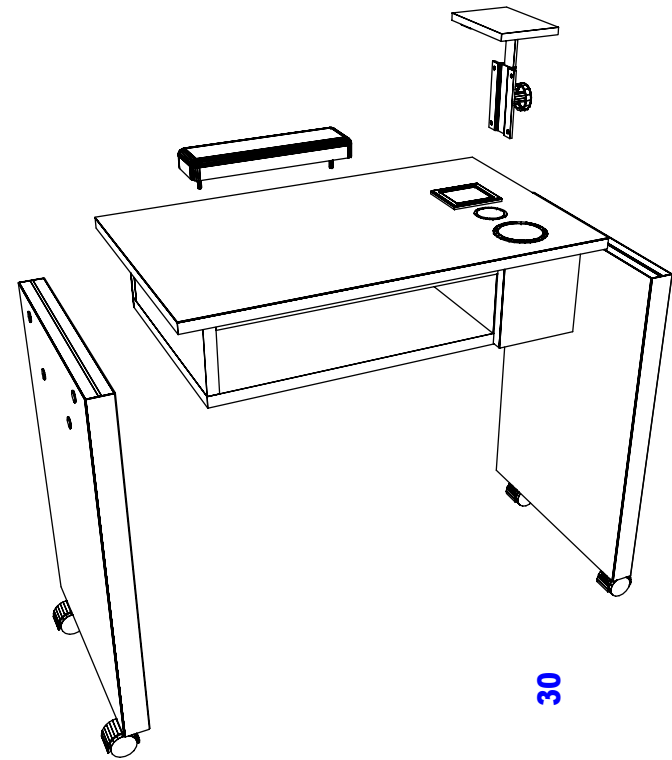
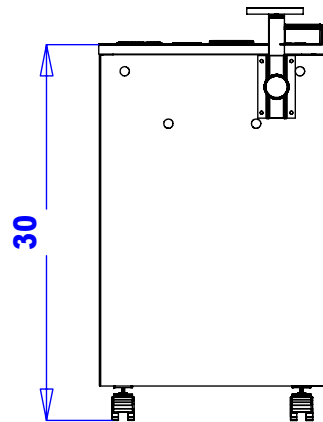
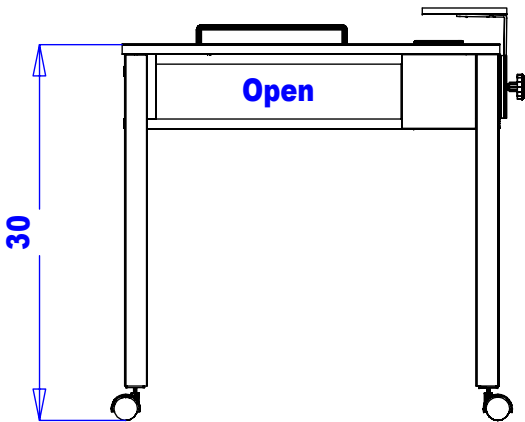
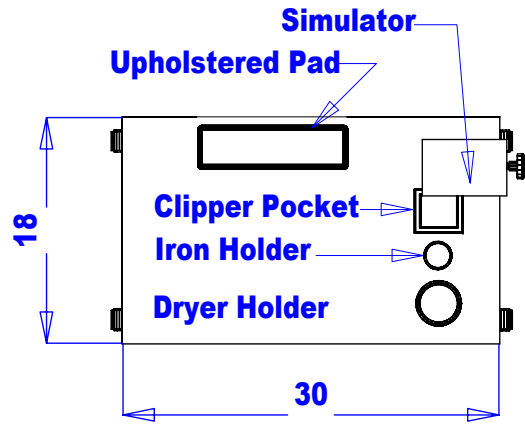
#### 3 Years:

- Ball-Bearing Drawer Slides
- Cabinet hinges

#### 1 Year:

- All remaining components, unless noted otherwise, are guaranteed for a period of one year from the date of purchase.





Legs bolt to interior cabinet as shown with fasteners provided.

**Finish Schedule - S054511.5**

Face Color - Wild Cherry  
 Top Color - Graphite Nebula  
 Toe Color - N/A  
 Pulls - N/A  
 Interior - White Melamine  
 Upholstered Pad - Paprika

**General Notes:**

1. All counter tops are to be made removable wherever possible.
2. Items must be broken into manageable sections For Shipping. Mark For Ease Of Reassembly.
3. Install Shipping Cleats Wherever Possible To Prevent Shipping Damage.
4. Purchased items Must Be Trial Fit Before Shipping.

<b>collins</b>		Collins Manufacturing 2000 Bowser Rd. Cookeville TN 38506	
Title: AACS		<b>AACS'04 54511.5</b>	
Size:	#: 54511.5	Drawn By: Mike	
Date:		Sheet #:	