



HEX ISLAND STATION

SKU:32991.3

This stylish Hex Island features six workstations, enough for six students, as well as open storage below. Designed for use in a classroom, it offers plenty of space for students to work on projects and collaborate with their peers.

Reference 32991.3.

Inquire with your distributor or the factory for pricing on school quantities.

TECHNICAL INFORMATION

- 48"W Base
- 72"W Ledge
- 72" Diameter Station Footprint
- 168" Diameter Footprint w/ seating and work area

SHIPPING INFORMATION

- 1 Skid
- Dimensions: 52"W x 52"L x 62"H
- Weight: 300
- 1 Skid
- Dimensions: 32"W x 84"L x 48"H
- Weight: 400 lbs
- 1 Skid
- Dimensions: 32"W x 72"L x 40"H
- Weight: 285 lbs

WARRANTY

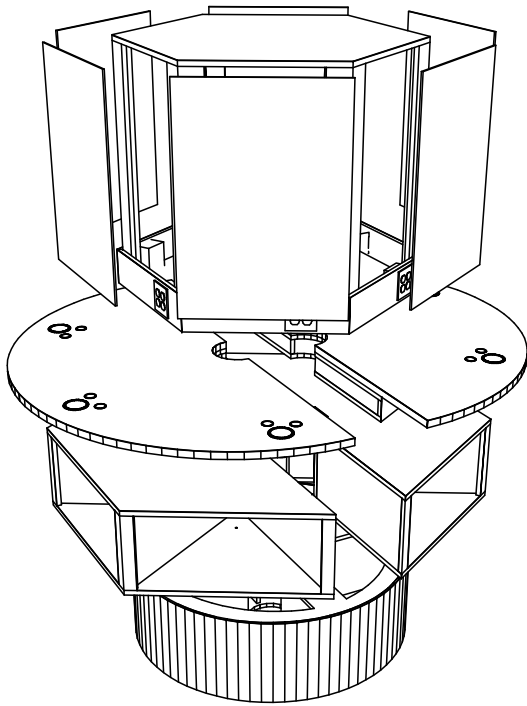
3 Years:

- Ball-Bearing Drawer Slides
- Cabinet hinges

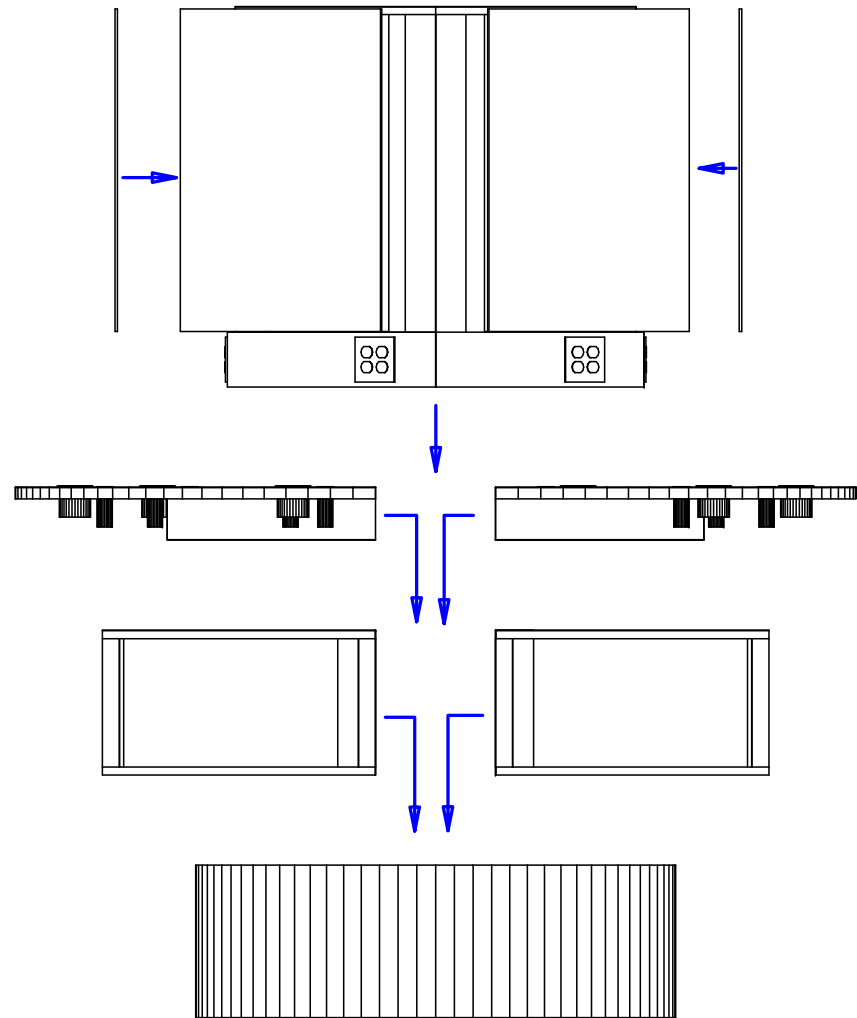
1 Year:

- All remaining components, unless noted otherwise, are guaranteed for a period of one year from the date of purchase.





Installation Hardware
(26) - 1 1/4" Connector Bolts
(8) - Connector Nuts
(2) - Tite-Joint Fasteners
(6) - Mirror Clip Kits



Quantity - Quantity

Finish Schedule - S032991-3

Face Color - Face Color
Top Color - Top Color
Toe Color - Toe Color
Reveal / Accent Color - N/A
Hardware - N/A
Interior - Interior
Other (Specify) - N/A

General Notes:

1. All counter tops are to be made removable wherever possible.
2. Items must be broken into manageable sections For Shipping. Mark For Ease Of Reassembly.
3. Install Shipping Cleats Wherever Possible To Prevent Shipping Damage.
4. Purchased items Must Be Trial Fit Before Shipping.

#1, #2, #3, #4, & #5

Collins Manufacturing 2000 Bowser Road Cookeville, TN 38506		
Title: Customer		
Size: NTS	Drawing Number: SO Number	Drawn By: Engineer
Date: 07/14/08	Sheet 8 of 10	

Installation Sequence.

1. Set round base in desired location and level as needed. If electrical power enters from floor, it may enter through center hole and pass up through the components to power the outlets. If desired, base may be anchored to the floor with fasteners provided by others.

2. Set the two halves of the lower section on the base and install 1 1/4" connector bolts & connector nuts through the eight assembly holes in the backs - do not tighten yet. Align the holes in the bottom with the threaded inserts in the base below. Get the 1 1/4" connector bolts started into the threaded inserts through all six of the bottom assembly holes - do not tighten yet. Go back to the eight bolts holding the two halves together and tighten securely. Finally, securely tighten the six connector bolts holding the lower section to the base.

3. Set the two halves of the work surface onto the lower section. Align the spline (bicult) joints and install the counter top (tite-joint) fasteners. Tighten the counter top fasteners to draw the two halves together. Align the threaded inserts in the bottom of the work surface with assembly holes in the top of the lower section. Install 1 1/4" connector bolts up through the top of the lower section into the threaded inserts. After all six connector bolts are started, tighten securely.

4. Set the mirror frame onto the work surface. Align the assembly holes with the theaded inserts and install 1 1/4" connector bolts. After all six connector bolts are started, tighten securely.

5. After making the necessary electrical connections, install the six mirrors using the hardware and instructions provided in the mirror clip boxes.

Quantity - Quantity


Finish Schedule - S032991-3

Face Color - Face Color
 Top Color - Top Color
 Toe Color - Toe Color
 Reveal / Accent Color - N/A
 Hardware - N/A
 Interior - Interior
 Other (Specify) - N/A

General Notes:

1. All counter tops are to be made removable wherever possible.
2. Items must be broken into managable sections For Shipping. Mark For Ease Of Reassembly.
3. Install Shipping Cleats Wherever Possible To Prevent Shipping Damage.
4. Purchased items Must Be Trial Fit Before Shipping.

#1, #2, #3, #4, & #5

		Collins Manufacturing 2000 Bowser Road Cookeville, TN 38506	
Title: Customer			
Size: NTS	Drawing Number: SO Number	Drawn By: Engineer	
Date: 07/14/08		Sheet 9 of 10	