



SYRACUSE ISLAND STATION

SKU:44361.1

Island Station for TWO students, introduced at the AACS Annual convention, Scottsdale, AZ.

TECHNICAL INFORMATION

- Measures: 35"W x 18"D x 87"H
- Storage for student kit
- Storage for mannequin heads
- Four-plex electric
- Tool panel
 - Blow dryer
 - Curling irons
 - Clippers

SHIPPING INFORMATION

- 1 Skid
- Dimensions: 32"W x 48"L x 58"H
- Weight: 210 lbs
- 1 Skid
- Dimensions: 32"W x 48"L x 52"H
- Weight: 250 lbs

WARRANTY

3 Years:

- Ball-Bearing Drawer Slides
- Cabinet hinges

1 Year:

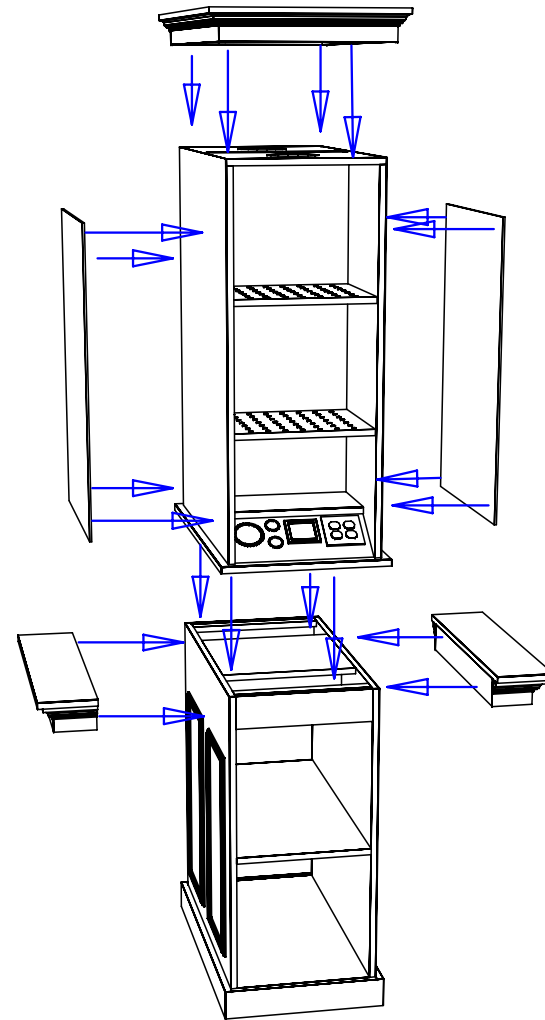
- All remaining components, unless noted otherwise, are guaranteed for a period of one year from the date of purchase.



Adjacent cabinets and components should be assembled by fastening through the interior panels with the screws or bolts provided. Tighten securely.

Purse shelves should be attached by screwing through the back and/or end into the cabinet and/or wall with the screws and/or bolts provided.

Mirrors are provided with mirror clips and wood screws. Attach one mirror clip at each corner approximately 2" in from the vertical edge.



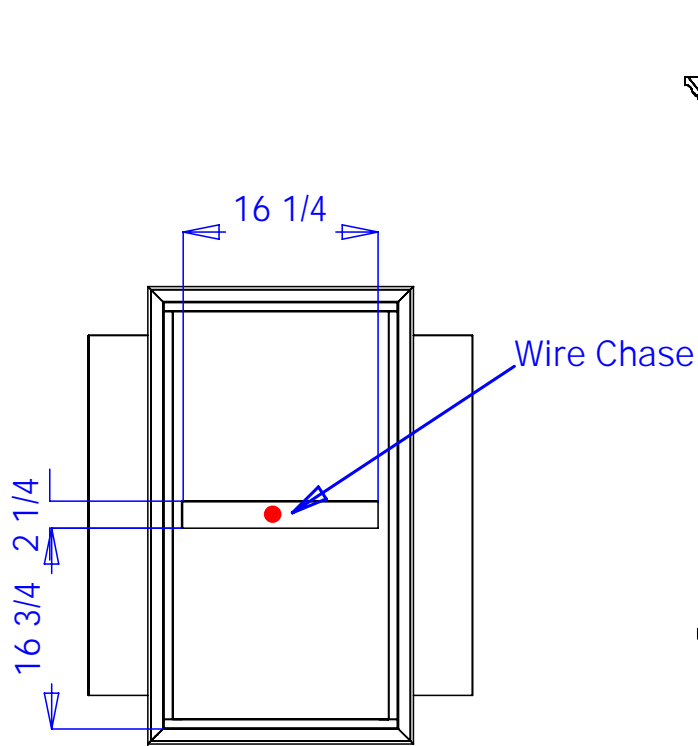
Finish Schedule - SO#68327

Face Color - Shaker Cherry
 Top Color - Shaker Cherry
 Toe Color - (Specify)
 Pulls - N/A
 Interior - Black Melamine
 Other (Specify) -

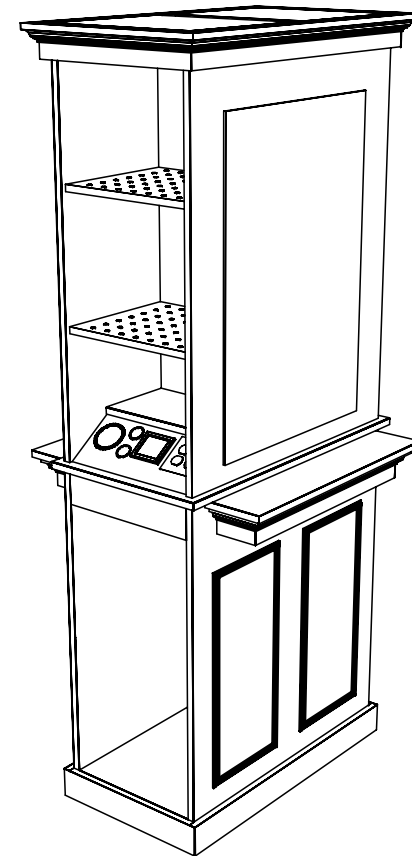
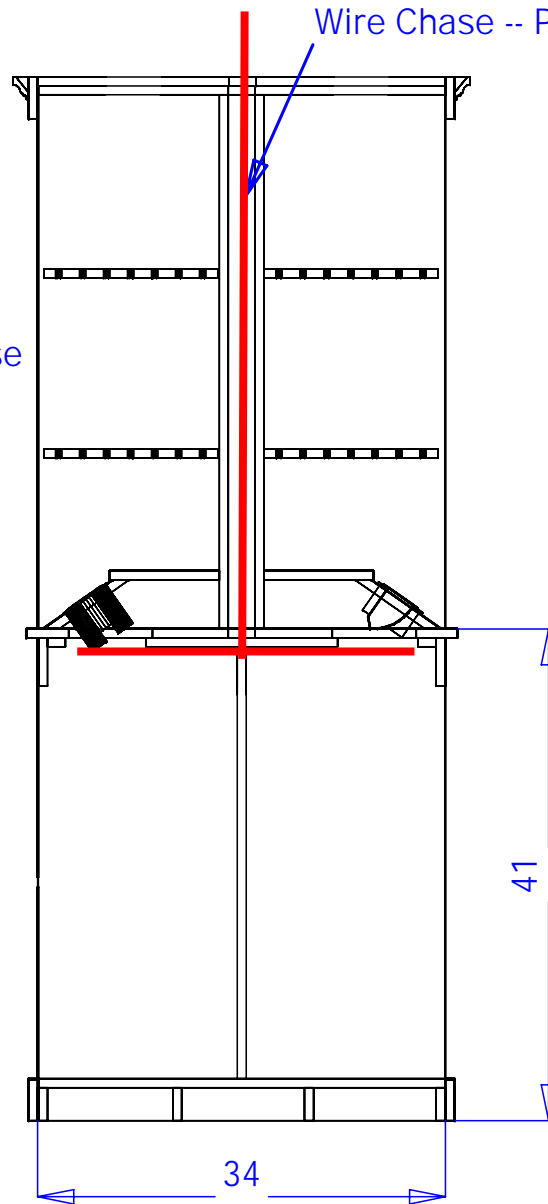
General Notes:

1. All counter tops are to be made removable wherever possible.
2. Items must be broken into manageable sections For Shipping. Mark For Ease Of Reassembly.
3. Install Shipping Cleats Wherever Possible To Prevent Shipping Damage.
4. Purchased items Must Be Trial Fit Before Shipping.

collins		Collins Manufacturing 2000 Bowser Rd. Cookeville TN 38506
Title: AACs -- Reference 44361.1		
Size:	#: 68327	Drawn By: Brian
Date:	Sheet #: 8	



110 volt 20 amp service recommended for each side of station to accommodate the potential wattage requirements.



Finish Schedule - SO#68327

Face Color -
 Top Color -
 Toe Color -
 Pulls -
 Interior - Su
 Other (Specify) -

This drawing is the property of Collins Manufacturing Company and is protected under copyright law.

collins		Collins Manufacturing 809 E 20th Street Cookeville TN 38501	
Title: AACS -- Reference 44361.1			
Size:	#: 68327	Drawn By: Brian	
Date:		Sheet #: 7	