



CLARY LOVE SEAT

SKU:4829



Bring a modern, minimalist touch to your business with the Clary Love Seat. The powder-coated metal base provides a sturdy foundation under the fabric padded seat, and built-in charging options allow customers to charge their phones while they wait. It's perfect for a reception area or waiting room, but also works well in other areas of the salon or spa.

TECHNICAL INFORMATION

- 48"W x 26"D x 24"H
- Powder coated metal all-in-one legs and arm rests
- Built-in USB/Duplex outlets for customer convenience

SHIPPING INFORMATION

Item generally ships via Freight(Truck) service

- Weight: 150 lbs
- Dimensions: 54"L x 32"W x 40"H

WARRANTY

7.5 Years:

- Models 3500, 4500, 5550 Foot Operated Hydraulic Pumps

5 years:

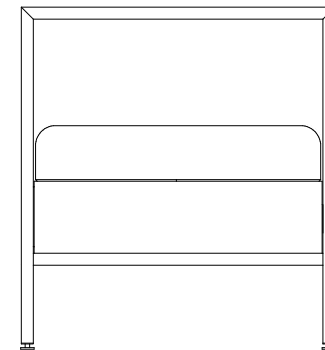
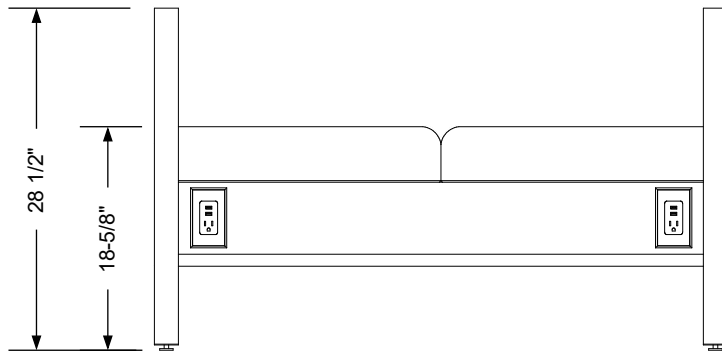
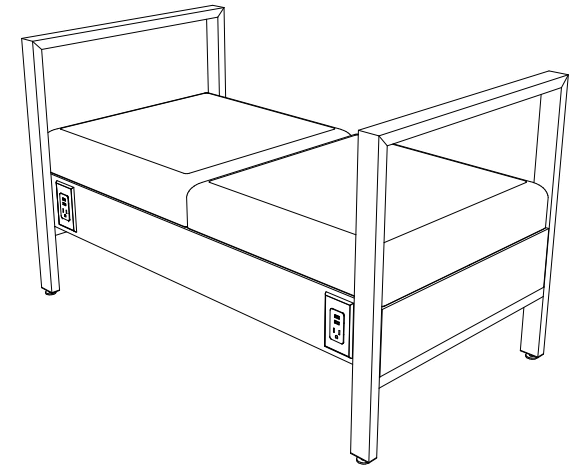
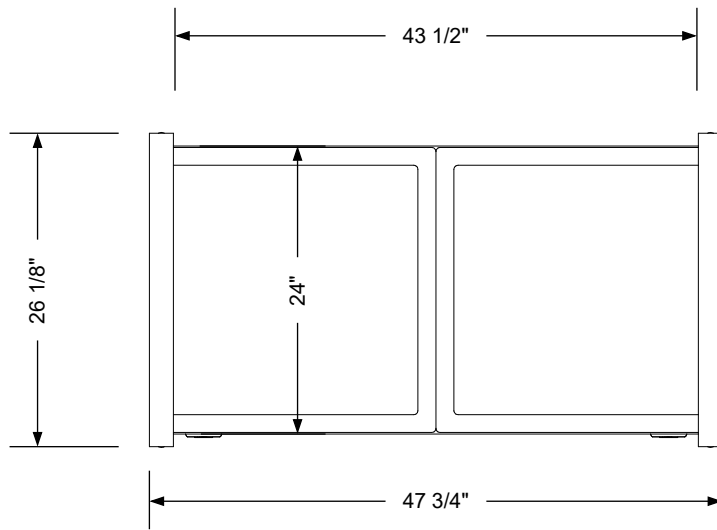
- Collins Comfort Zone anti-fatigue mats
- Collins all purpose and shampoo chair back reclining mechanisms
- Models 3250, 4250, 5250 Foot Operated Hydraulic Pumps

3 Years:

- BKB Electric Base

1 year:

- All remaining components, unless otherwise noted



Additional Information

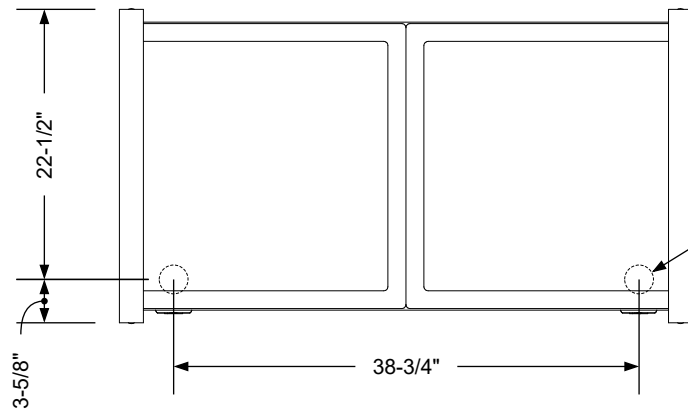
Assembly required - no
 Electrical required - yes
 Plumbing required - no
 Wall blocking required - no
 COM yardage/laminate usage
 Metal Legs + 1/2" h Adj. glides
 Other (specify) - n/a
 Other (specify) - n/a

Specification Drawing

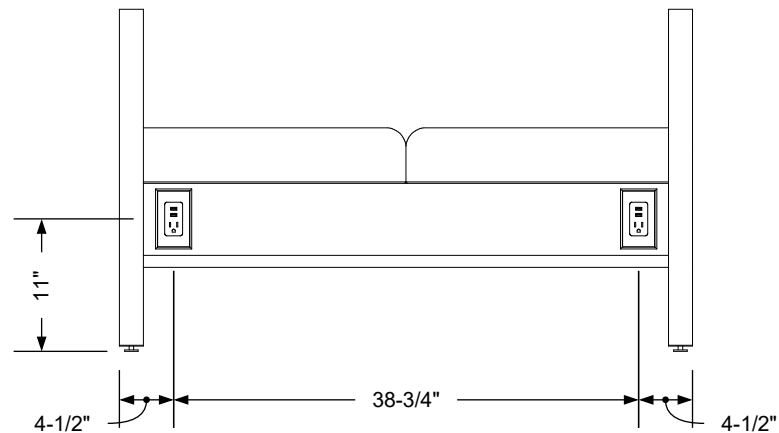
This **Specification Drawing** is intended for communicating the basic description, function, appearance, dimensions, features, and installation of an item as manufactured by Collins Manufacturing Company. Because this drawing does not contain project specific information such as quantities, finishes, or options, it is not an approval drawing and does not require a signature. This drawing remains the property of Collins Manufacturing Company and must not be used against the interests of Collins Manufacturing Company.

Product Information

		Collins Manufacturing 2000 Bowser Road Cookeville, TN 38506	
Name: Clary Love Seat			
Size: NTS	Part Number: 4829	Drawn By: Eng	
Prepared Date: 4/28/20	Revision Date: Date	Revision Number: Rev #	Sheet: 1 of 2



The prewired power cords exits the junction box in these locations. A power cord extends 60" from the back of each duplex junction box. The electrician is to provide and install a 15 amp circuit and Duplex outlet within reach of these cords.



Electrical stub out detail

Additional Information

Assembly required - no
 Electrical required - yes
 Plumbing required - no
 Wall blocking required - no
 COM yardage/laminate usage
 Metal Legs + 1/2" h Adj. glides
 Other (specify) - n/a
 Other (specify) - n/a

Specification Drawing

This **Specification Drawing** is intended for communicating the basic description, function, appearance, dimensions, features, and installation of an item as manufactured by Collins Manufacturing Company. Because this drawing does not contain project specific information such as quantities, finishes, or options, it is not an approval drawing and does not require a signature. This drawing remains the property of Collins Manufacturing Company and must not be used against the interests of Collins Manufacturing Company.

Product Information

		Collins Manufacturing 2000 Bowser Road Cookeville, TN 38506	
Name: Clary Love Seat			
Size: NTS	Part Number: 4829	Drawn By: Eng	
Prepared Date: 4/28/20	Revision Date: Date	Revision Number: Rev #	Sheet: 2 of 2