



## EDU NEO GAMMA DESK

SKU:2031-60



Celebrate style with the modern Neo Gamma Reception Desk, which offers a clean, streamlined look along with an accent inlay along the top of the cabinet and edge of the customer ledge.

The tall front acts as both a customer ledge and a modesty panel, keeping your computer and paperwork hidden for a tidy view.

### TECHNICAL INFORMATION

---

- 60"W x 24"D x 42"H
- Modesty panel
- Wide locking drawer w/ cash till
- Utility drawer
- Pencil drawer
- Storage cabinet
- Neo bar pulls

### SHIPPING INFORMATION

---

Item generally ships via Freight(Truck) service

- Weight: 380 lbs
- Dimensions: 66"L x 32"W x 52"H

### WARRANTY

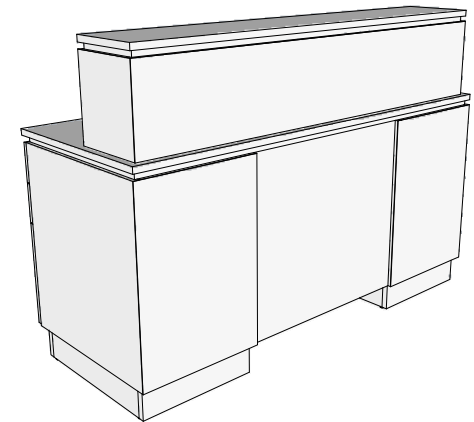
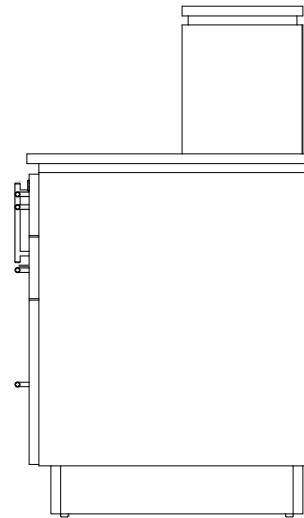
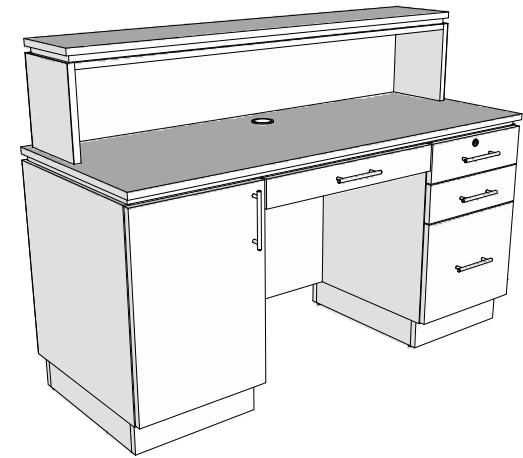
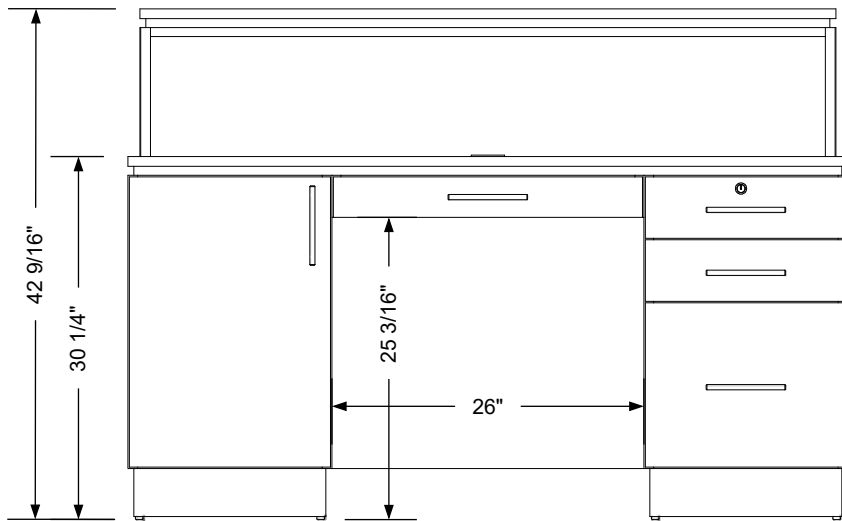
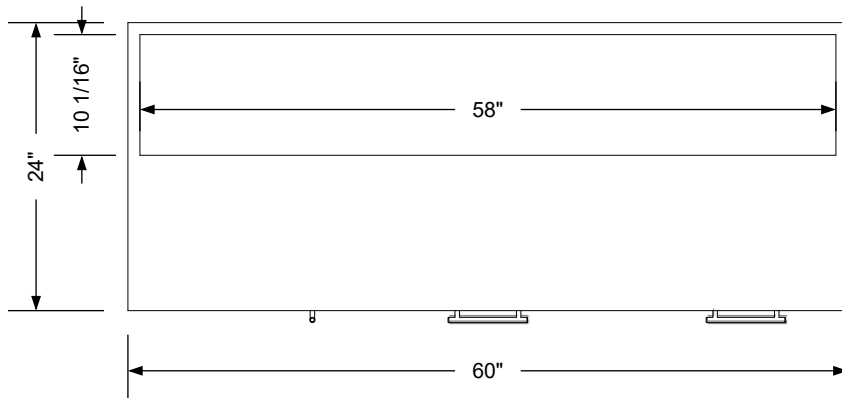
---

#### 3 Years:

- Ball-Bearing Drawer Slides
- Cabinet hinges

#### 1 Year:

- All remaining components, unless noted otherwise, are guaranteed for a period of one year from the date of purchase.




### Additional Information

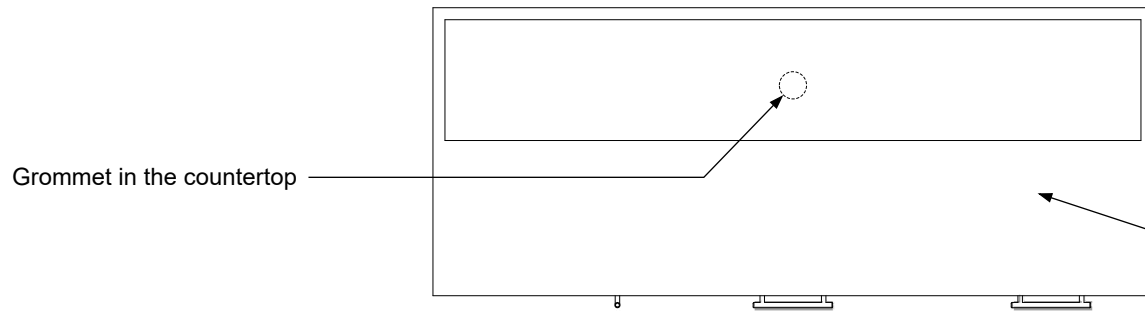
Assembly required - no  
 Electrical required - yes  
 Plumbing required - no  
 Wall blocking required - no  
 COM yardage/laminate usage - 90 sf  
 4"h laminated plywood toe + 1/4"h glides  
 Other (specify) - n/a  
 Other (specify) - n/a

### Specification Drawing

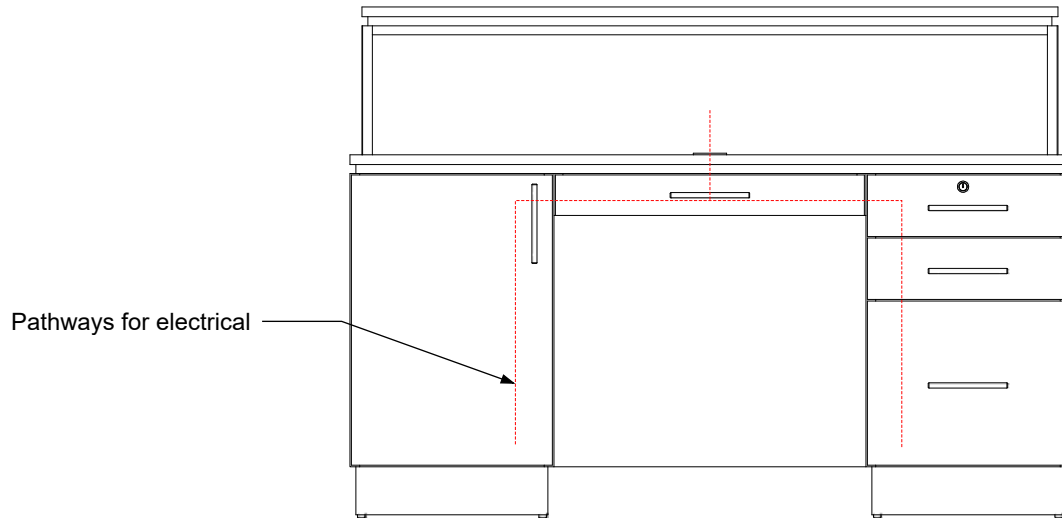
This **Specification Drawing** is intended for communicating the basic description, function, appearance, dimensions, features, and installation of an item as manufactured by Collins Manufacturing Company. Because this drawing does not contain project specific information such as quantities, finishes, or options, it is not an approval drawing and does not require a signature. This drawing remains the property of Collins Manufacturing Company and must not be used against the interests of Collins Manufacturing Company.

### Product Information

		Collins Manufacturing 2000 Bowser Road Cookeville, TN 38506	
Name: Neo Gamma Desk			
Size: NTS	Part Number: 2031-60	Drawn By: Eng	
Prepared Date: 4/21/20	Revision Date: Date	Revision Number: Rev #	Sheet: 1 of 2



Provide 20 amp electrical power into the cabinets either through the bottom or side of one of the cabinets. The power may then be directed through the desk and connected to outlets. The outlets are provided, installed, and wired by the electrician according to project-specific requirements.



**Electrical stub out detail**

**Additional Information**

Assembly required - no  
 Electrical required - yes  
 Plumbing required - no  
 Wall blocking required - no  
 COM yardage/laminate usage - 90 sf  
 4" h laminated plywood toe + 1/4" h glides  
 Other (specify) - n/a  
 Other (specify) - n/a

**Specification Drawing**

This **Specification Drawing** is intended for communicating the basic description, function, appearance, dimensions, features, and installation of an item as manufactured by Collins Manufacturing Company. Because this drawing does not contain project specific information such as quantities, finishes, or options, it is not an approval drawing and does not require a signature. This drawing remains the property of Collins Manufacturing Company and must not be used against the interests of Collins Manufacturing Company.

**Product Information**

		Collins Manufacturing 2000 Bowser Road Cookeville, TN 38506	
Name: Neo Gamma Desk			
Size: NTS	Part Number: 2031-60	Drawn By: Eng	
Prepared Date: 4/21/20	Revision Date: Date	Revision Number: Rev #	Sheet: 2 of 2