



PORTABLE SS CART

SKU:2104-18

Portable SS Cart on casters

TECHNICAL INFORMATION

- 18"W x 17"D x 34"H
- All stainless steel construction
- Two storage spaces with hasps perfect for the school environment
- Non-marring industrial casters

SHIPPING INFORMATION

Item generally ships via Freight(Truck) service

- Weight: 140 lbs
- Dimensions: 32"L x 30"W x 42"H

WARRANTY

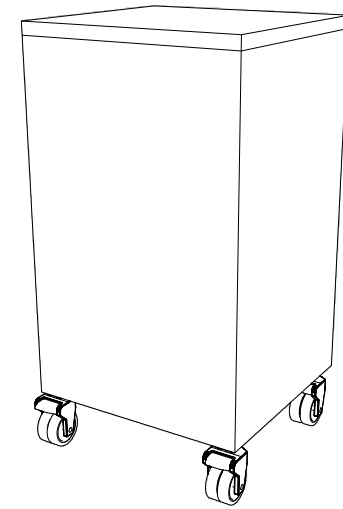
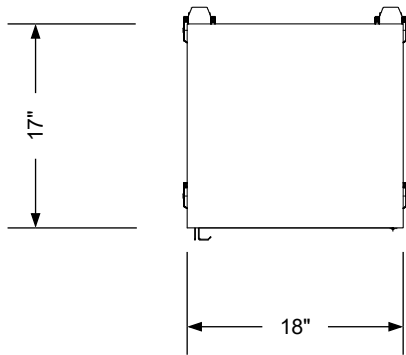
3 Years:

- Ball-Bearing Drawer Slides
- Cabinet hinges

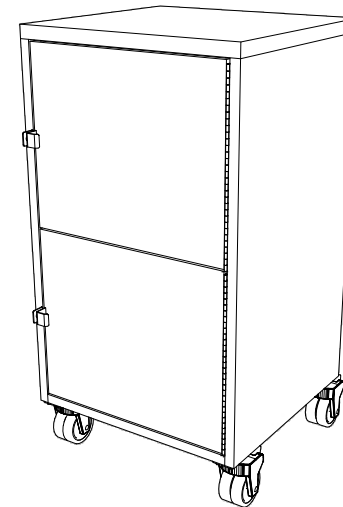
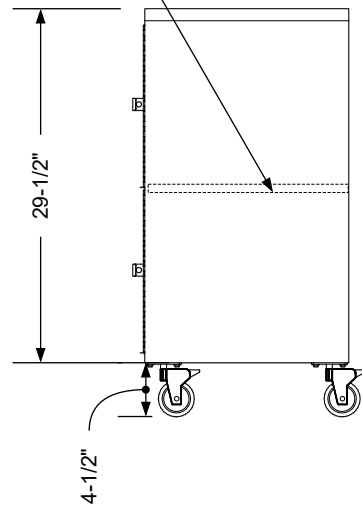
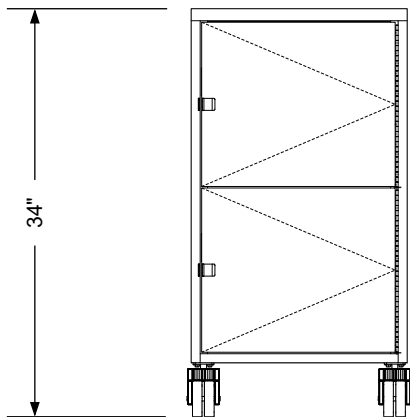
1 Year:

- All remaining components, unless noted otherwise, are guaranteed for a period of one year from the date of purchase.





Stationary Shelf




Additional Information

Assembly required - n/a
 Electrical required - n/a
 Plumbing required - n/a
 Wall blocking required - n/a
 COM yardage/laminate usage -
 4 1/2" h Double Wheel Casters
 Other (specify) - n/a
 Other (specify) - n/a

Specification Drawing

This **Specification Drawing** is intended for communicating the basic description, function, appearance, dimensions, features, and installation of an item as manufactured by Collins Manufacturing Company. Because this drawing does not contain project specific information such as quantities, finishes, or options, it is not an approval drawing and does not require a signature. This drawing remains the property of Collins Manufacturing Company and must not be used against the interests of Collins Manufacturing Company.

Product Information

		Collins Manufacturing 2000 Bowser Road Cookeville, TN 38506	
		Name: Portable SS Cart	
Size: NTS	Part Number: 2104-18	Drawn By: Eng	
Prepared Date: 6/5/20	Revision Date: 6/26/20	Revision Number: Rev 1	Sheet: 1 of 1