



TEMPTURA ULTRA DRYER

SKU:1433H



The Collins Wall-Mounted TempTura Dryer comes equipped with a spacious hood, adjustable time and temperature controls, and a powerful 1000 watt motor for quick, efficient drying. Its unique down draft technology eliminates the need for clients to wear hair nets during use, and it meets all ETL safety standards.

Proper installation requires in-the-wall reinforcement.

TECHNICAL INFORMATION

- ETL listed to UL 1727:2012 in US and CSA C22.2#36:2008 in Canada
- 20"W x 68"D x 26"H
- Down-draft dryer w/ smoked hood
- Variable time and temperature settings
- Cool-down cycle
- Hood measure 12.5" inside diameter
- 17.5" Diameter at largest point
- 110 volts
- 1000 watts
- Articulating wall-mounted arm w/ 5'4" diameter reach

SHIPPING INFORMATION

Item generally ships via Parcel (Fedex/UPS) service

- Weight: 45 lbs
- Dimensions: 2 cartons

WARRANTY

5 Years:

- Collins 2200 Sol-Air dryer motors & hoods

2 Years:

- Jeffco K500 Complete and Collins 2200 Remaining components

1 Year:

- All remaining dryer and processor model components

All warranties are part replacement warranties only with labor being provided by the customer. The factory technicians will help diagnose the problem by phone or video conference and ship out the replacement component. Technicians will also provide any instructions for repair as well.



PRODUCT SPECIFICATION SHEET

Part #: 1433H
Description: Collins Wall-Mounted TempTura Ultra Dryer

Standard Features:

- Down-draft dryer w/ smoked hood
- Variable time & temperature settings
- Cool-down cycle
- Oversized hood measures 12.5" inside diameter & 17.5" diameter at largest point
- 110 volts & 1000 watts
- Well engineered articulating arm with 5'4" diameter reach
- Arm measures 35" from wall to elbow, 29" elbow to dryer
- No hair net needed!



Specifications:

Collins Wall-Mounted TempTura Ultra Dryer wall-mounted version w/ engineered articulating arm. Arm measures 35" from wall to elbow, plus 29" from elbow to dryer. Provides 5' 4" diameter semi-circle-shaped working range from mounting bracket. Unit Installs 78" from the floor ... **IN-THE-WALL BACKING or OVERLAY PANEL REQUIRED TO SPAN MULTIPLE STUDS.** Hair net not needed.



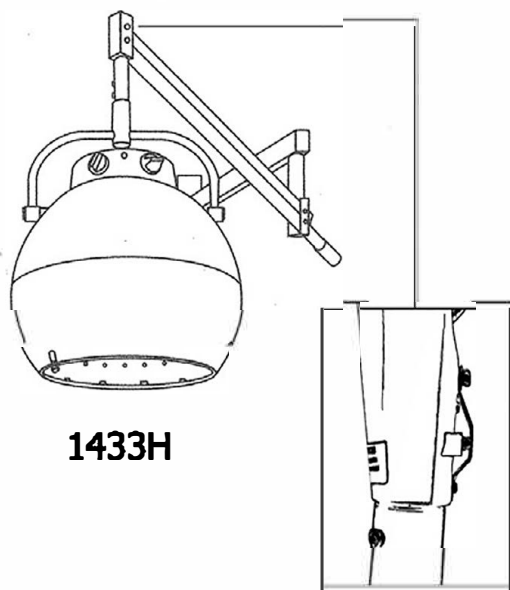
Shipping and Assembly/Installation Information

Assembly Required:	<input checked="" type="checkbox"/> Yes	<input type="checkbox"/> No
Electrical Required:	<input checked="" type="checkbox"/> Yes	<input type="checkbox"/> No
Plumbing Required:	<input type="checkbox"/> Yes	<input checked="" type="checkbox"/> No
Ship Dimensions	"W x	"D x "H
Total Ship Weight	42 LBS	
# of Ship Pieces	2 Cartons	Skids

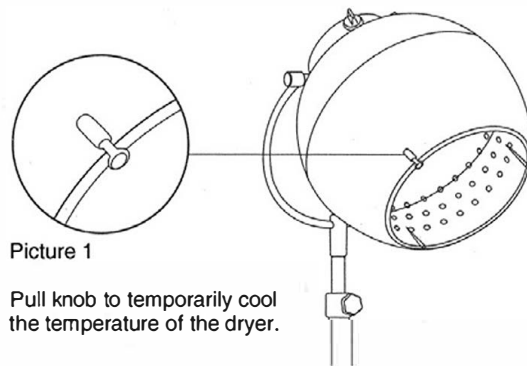
Additional Information:

No hair net needed!

Collins TempTura Ultra Dryer



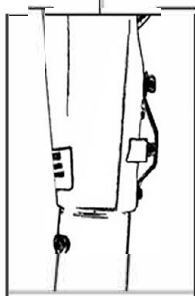
1433H



Picture 1

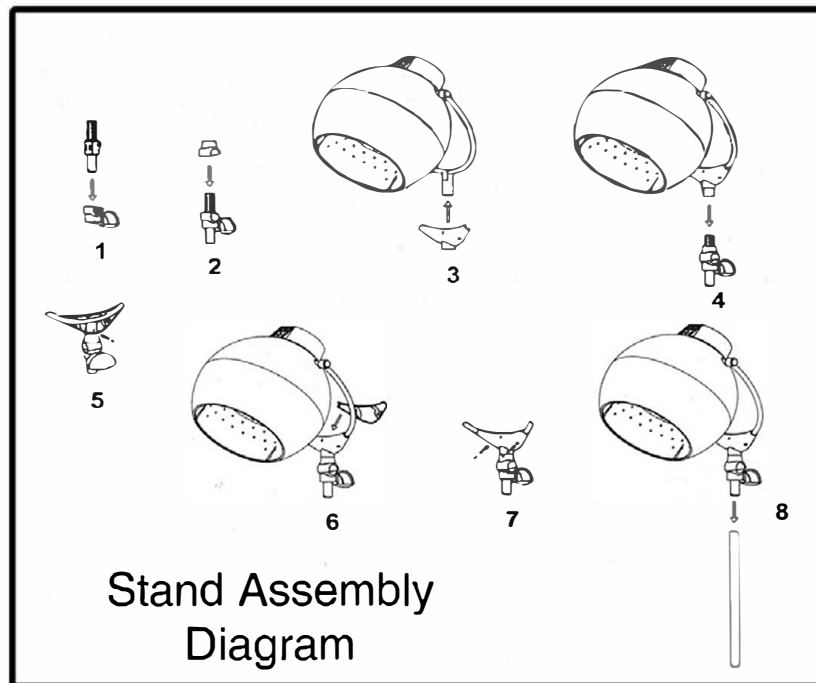
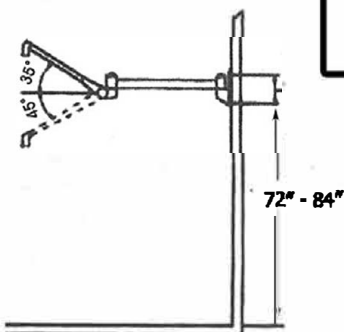
Pull knob to temporarily cool the temperature of the dryer.

1433S



Picture 2

Unscrew top screw, rotate metal piece to reveal middle screw. Unscrew middle screw to insert or remove dryer head's metal rod.



Stand Assembly Diagram

PRODUCT SPECIFICATIONS:

Fully-automatic electric hair dryer

[] AC200/240V 50Hz 1000W

[] AC100/120V 50-60Hz 1000W

FUNCTIONS:

The TempTura Ultra is made to dry, process, mold, nourish, and process color.

ADVANTAGES:

Heat is more evenly distributed with the TempTura Ultra than with traditional dryers. The TempTura also offers variable temperature and time settings and a cool down cycle.

TO USE:

1. Plug in the dryer.
2. Set the temperature by turning the knob.
3. Set the timer by turning the knob; dryer automatically starts when timer is engaged.
4. The dryer head can be moved up or down and rotated.
5. To turn the timer off, simply turn the timer knob to "0". The timer sounds when the time is up or when the timer is turned off.

WALL-MOUNT:

Dryer head can rotate 360°. The arm can rotate 330° from side to side. The adjustable distance between the dryer head and the wall is 0–1450 mm (0–57 inches). It can be changed up or down from 0–700 mm (0–27.5 inches) within 180°. To move the dryer up or down the force of pull is 2.5–6 kg (5.5–13 lbs.).

INSTALLATION INSTRUCTIONS: VIDEO AVAILABLE HERE

1. Screw the arm frame into the pre-installed In-Wall-Backing or Overlay Panel using wood screws. A single wall stud will not provide sufficient support.

Recommended height is 1.8–2 meters (71–79 inches) from the floor to the bottom of the arm frame.

2. Installation of the arm frame can be seen in the image above.

CAUTION:

Ensure all screws and bolts in the arm frame are fastened and tight. Check the arm frame on a regular bases to ensure all screws and bolts continue to be fastened tightly.

