



## INSTRUCTORS PODIUM

SKU:2471-24

This Instructors Podium offers a commanding presence within the classroom while the privacy panel top provides added privacy to ensure that the instructor can teach without distraction.

### TECHNICAL INFORMATION

---

- Locking cabinets accessible from front and back to provide for easy computer wire access
- A place for a keyboard
- Work surface with privacy panel

### SHIPPING INFORMATION

---

Item generally ships via Freight(Truck) service

- Weight: 240 lbs
- Dimensions: 48"L x 32"W x 54"H

### WARRANTY

---

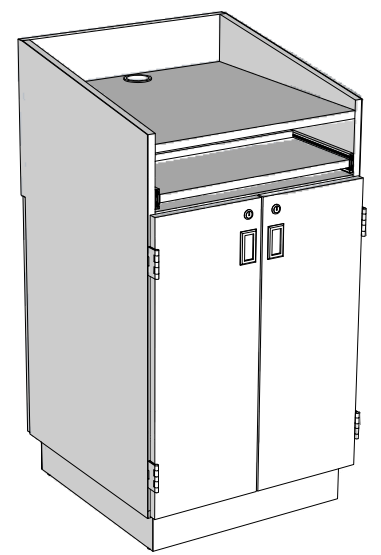
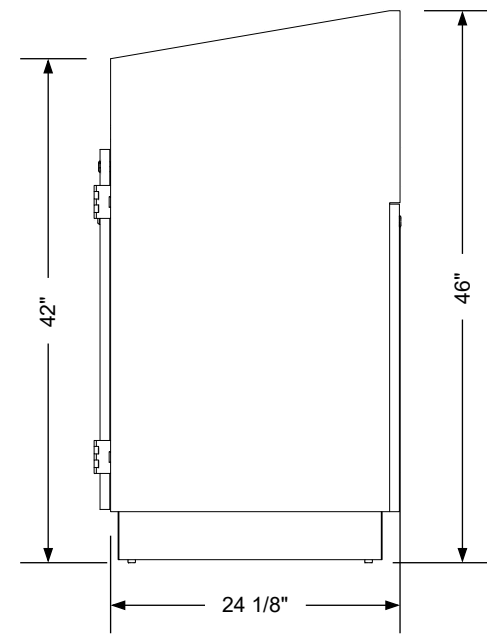
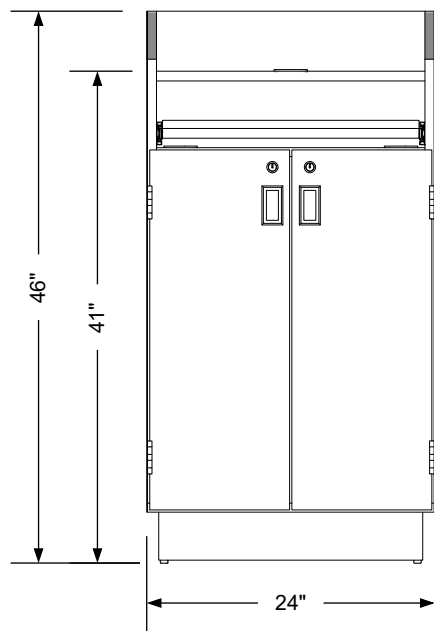
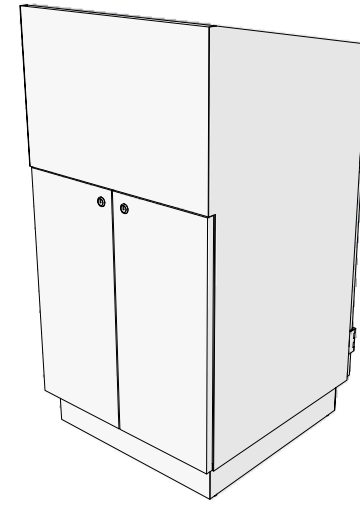
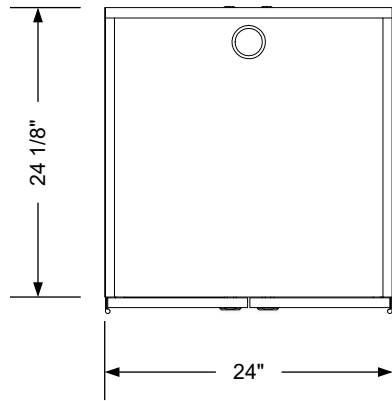
#### 3 Years:

- Ball-Bearing Drawer Slides
- Cabinet hinges

#### 1 Year:

- All remaining components, unless noted otherwise, are guaranteed for a period of one year from the date of purchase.





**Additional Information**

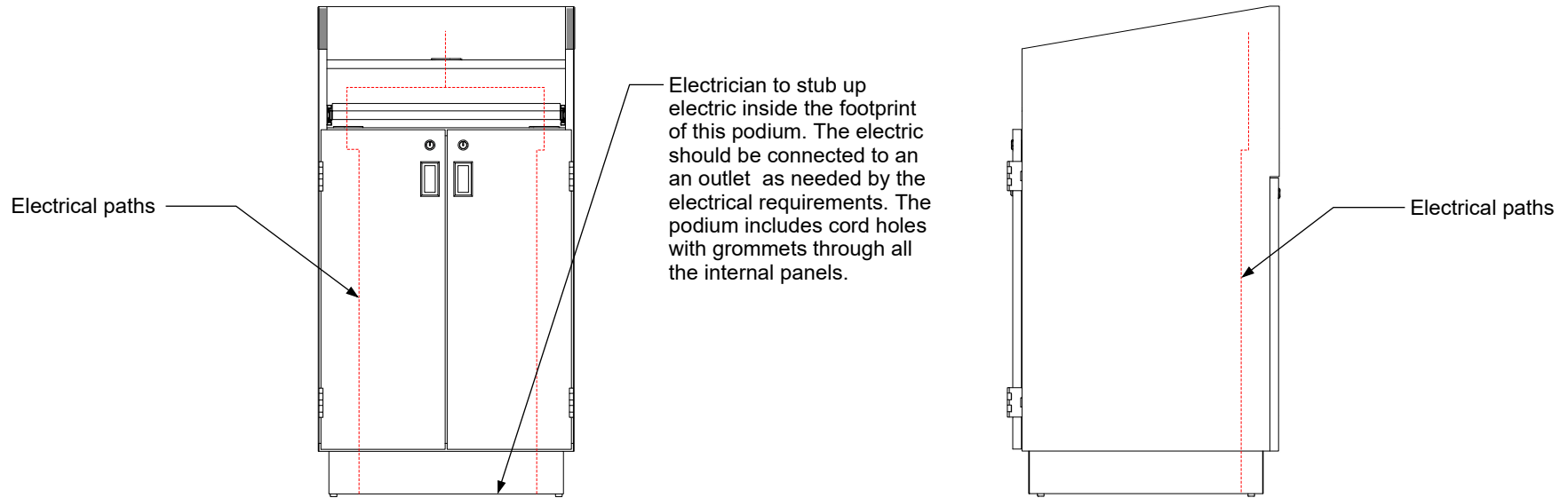
Assembly required - yes  
 Electrical required - yes  
 Plumbing required - no  
 Wall blocking required - no  
 COM yardage/laminate usage - 82 sf  
 4"h laminated plywood toe + 1/4"h glides  
 Other (specify) - n/a  
 Other (specify) - n/a

**Specification Drawing**

This **Specification Drawing** is intended for communicating the basic description, function, appearance, dimensions, features, and installation of an item as manufactured by Collins Manufacturing Company. Because this drawing does not contain project specific information such as quantities, finishes, or options, it is not an approval drawing and does not require a signature. This drawing remains the property of Collins Manufacturing Company and must not be used against the interests of Collins Manufacturing Company.

**Product Information**

		Collins Manufacturing 2000 Bowser Road Cookeville, TN 38506	
Name: <b>Instructors Podium</b>			
Size: <b>NTS</b>	Part Number: <b>2471-24</b>	Drawn By: <b>Eng</b>	
Prepared Date: <b>Date</b>	Revision Date: <b>Date</b>	Revision Number: <b>Rev #</b>	Sheet: <b>1 of 2</b>



**Electrical stub out detail**

**Additional Information**

Assembly required - yes  
 Electrical required - yes  
 Plumbing required - no  
 Wall blocking required - no  
 COM yardage/laminate usage - 82 sf  
 4"h laminated plywood toe + 1/4"h glides  
 Other (specify) - n/a  
 Other (specify) - n/a

**Specification Drawing**

This **Specification Drawing** is intended for communicating the basic description, function, appearance, dimensions, features, and installation of an item as manufactured by Collins Manufacturing Company. Because this drawing does not contain project specific information such as quantities, finishes, or options, it is not an approval drawing and does not require a signature. This drawing remains the property of Collins Manufacturing Company and must not be used against the interests of Collins Manufacturing Company.

**Product Information**

		Collins Manufacturing 2000 Bowser Road Cookeville, TN 38506	
Name: <b>Instructors Podium</b>			
Size: <b>NTS</b>	Part Number: <b>2471-24</b>	Drawn By: <b>Eng</b>	
Prepared Date: <b>Date</b>	Revision Date: <b>Date</b>	Revision Number: <b>Rev #</b>	Sheet: <b>2 of 2</b>