



## THEORY COMBO STATION 1

SKU:2455-36



Theory Combo Station is designed for two side-by-side students. It allows the student to use the same station for application and theory.

The top doubles as a writing surface and countertop space for tools. The base has one locking cabinet for storage and the other side is open allowing the student to sit comfortably with their legs under desk area.

\*2 single units shown side-by-side

### TECHNICAL INFORMATION

- 36"W x 22"D x 34"H
- Radius corners on writing surface
- Mannequin clamp support
- Fourplex outlet
- Connecting electric chase with protective S/S strips
- Lockable storage with hasp lock mechanism
- 270 degree hinges on door
- Cubby storage
- Curling iron holder
- Flat iron holder
- Blow dryer holder
- Available in 36" or 40" lengths

### SHIPPING INFORMATION

Item generally ships via Freight(Truck) service

- Weight: 200 lbs
- Dimensions: 48"L x 32"W x 42"H

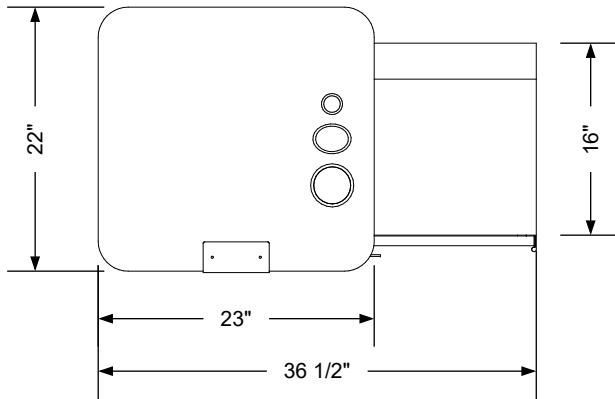
### WARRANTY

#### 3 Years:

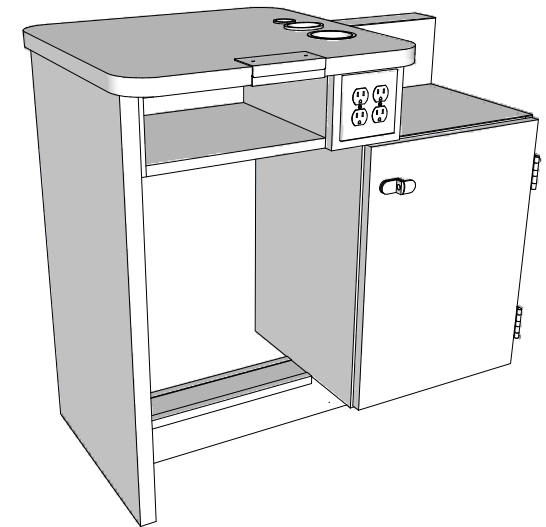
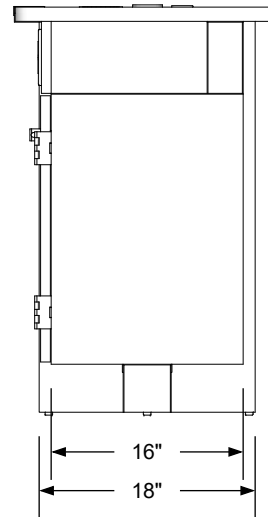
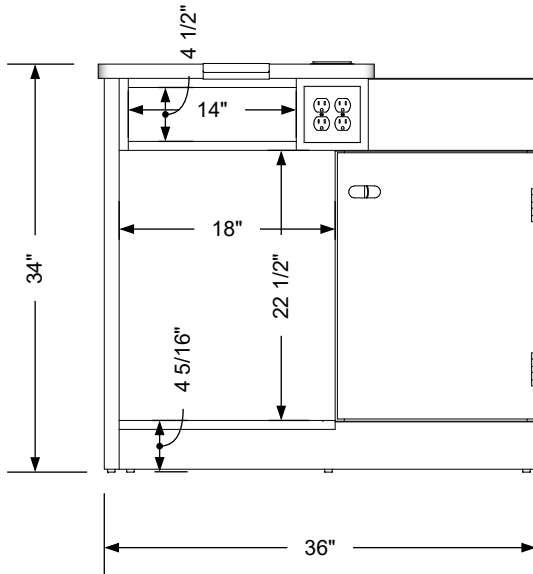
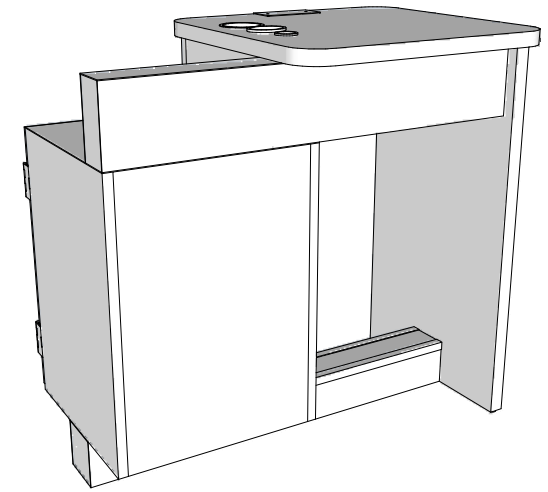
- Ball-Bearing Drawer Slides
- Cabinet hinges

#### 1 Year:

- All remaining components, unless noted otherwise, are guaranteed for a period of one year from the date of purchase.



Note:  
 One single unit is shown for dimensions and illustrate what is included in the unit price. In practice, configurations almost always use two stations as a minimum. The configurations may be arranged for multiple students limited only by the student spacing and size of the room. The larger configurations are achieved by using multiple locker cabinets and spanning them with single, double, and triple length countertops. The stations may be right-handed/ right hinged as shown or mirrored to be left-handed/left hinged per following pages.



### Additional Information

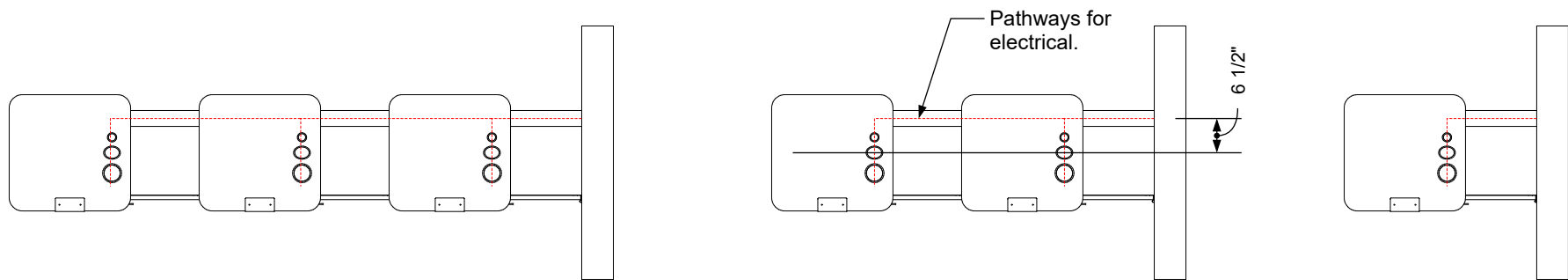
Assembly required - yes  
 Electrical required - yes  
 Plumbing required - no  
 Wall blocking required - no  
 COM yardage/laminate usage - 58 sf  
 4" h laminated plywood toe + 1/4" h glides  
 Other (specify) - n/a  
 Other (specify) - n/a

### Specification Drawing

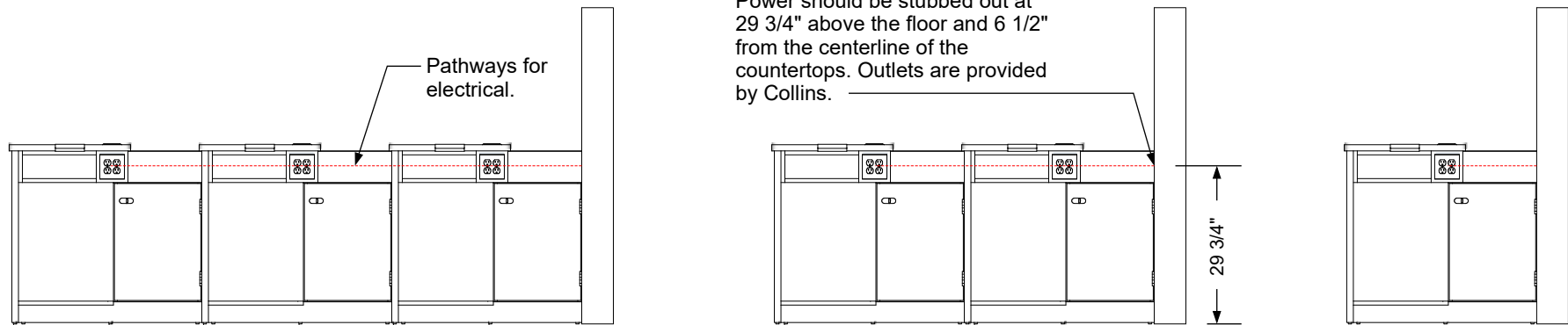
This **Specification Drawing** is intended for communicating the basic description, function, appearance, dimensions, features, and installation of an item as manufactured by Collins Manufacturing Company. Because this drawing does not contain project specific information such as quantities, finishes, or options, it is not an approval drawing and does not require a signature. This drawing remains the property of Collins Manufacturing Company and must not be used against the interests of Collins Manufacturing Company.

### Product Information

<b>collins</b>		Collins Manufacturing 2000 Bowser Road Cookeville, TN 38506	
Name: Theory Combo Station 1 - 36			
Size: NTS	Part Number: 2455-36	Drawn By: Eng	
Prepared Date: 6/11/20	Revision Date: Date	Revision Number: Rev #	Sheet: 1 of 3



The electrician is responsible for connecting power to the fourplex outlets at the indicated locations. Provide a 20 amp circuit for each outlet. Power should be stubbed out at 29 3/4" above the floor and 6 1/2" from the centerline of the countertops. Outlets are provided by Collins.



**Right-Handed/Right-Hinged Configurations - Electrical stub out detail**

**Additional Information**

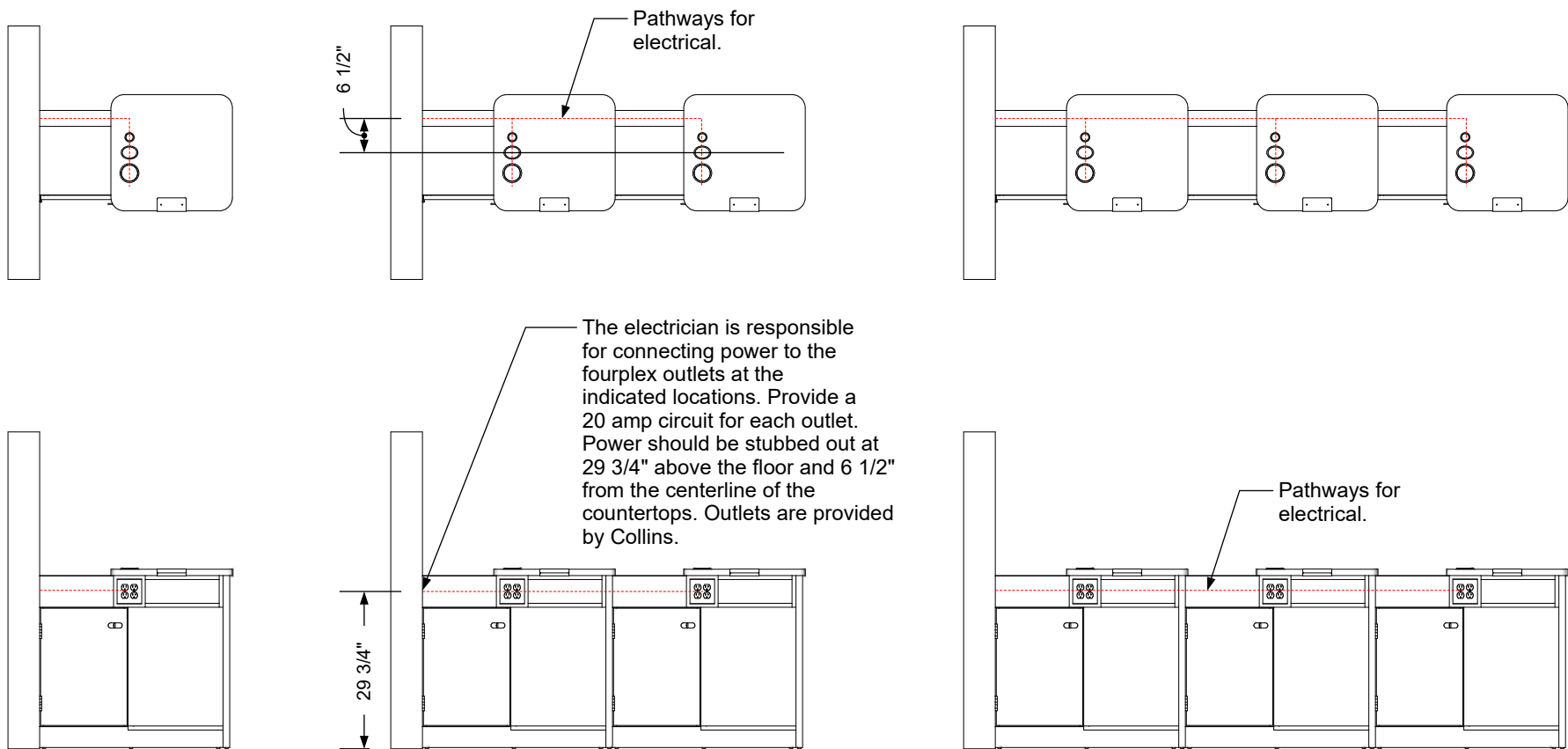
Assembly required - yes  
 Electrical required - yes  
 Plumbing required - no  
 Wall blocking required - no  
 COM yardage/laminate usage - 58 sf  
 4"h laminated plywood toe + 1/4"h glides  
 Other (specify) - n/a  
 Other (specify) - n/a

**Specification Drawing**

This **Specification Drawing** is intended for communicating the basic description, function, appearance, dimensions, features, and installation of an item as manufactured by Collins Manufacturing Company. Because this drawing does not contain project specific information such as quantities, finishes, or options, it is not an approval drawing and does not require a signature. This drawing remains the property of Collins Manufacturing Company and must not be used against the interests of Collins Manufacturing Company.

**Product Information**

		Collins Manufacturing 2000 Bowser Road Cookeville, TN 38506	
Name: Theory Combo Station 1 - 36			
Size: NTS	Part Number: 2455-36	Drawn By: Eng	
Prepared Date: 6/11/20	Revision Date: Date	Revision Number: Rev #	Sheet: 2 of 3



**Left-Handed/Left-Hinged Configurations - Electrical stub out detail**


**Additional Information**

Assembly required - yes  
 Electrical required - yes  
 Plumbing required - no  
 Wall blocking required - no  
 COM yardage/laminate usage - 58 sf  
 4" h laminated plywood toe + 1/4" h glides  
 Other (specify) - n/a  
 Other (specify) - n/a

**Specification Drawing**

This **Specification Drawing** is intended for communicating the basic description, function, appearance, dimensions, features, and installation of an item as manufactured by Collins Manufacturing Company. Because this drawing does not contain project specific information such as quantities, finishes, or options, it is not an approval drawing and does not require a signature. This drawing remains the property of Collins Manufacturing Company and must not be used against the interests of Collins Manufacturing Company.

**Product Information**

		Collins Manufacturing 2000 Bowser Road Cookeville, TN 38506	
		Name: Theory Combo Station 1 - 36	
Size:	Part Number:	Drawn By:	
NTS	2455-36	Eng	
Prepared Date:	Revision Date:	Revision Number:	Sheet:
6/11/20	Date	Rev #	3 of 3