



## LEHIGH+ SINGLE

SKU:2162-48

For one student...featuring tool holders, mannequin head clamp strip and mannequin head storage cubby, fourplex outlet, student kit storage, PLUS double locking storage cabinets below counter and mirror



### TECHNICAL INFORMATION

---

- 48"W x 22"D x 87"H
- Tool holders
- Mannequin head clamp strip
- Mannequin head storage cubby
- Fourplex outlet
- Student kit storage
- Double locking storage cabinets below counter
- Mirror

### SHIPPING INFORMATION

---

Item generally ships via Freight(Truck) service

- Weight: 400 lbs
- Dimensions: 2 pallets

### WARRANTY

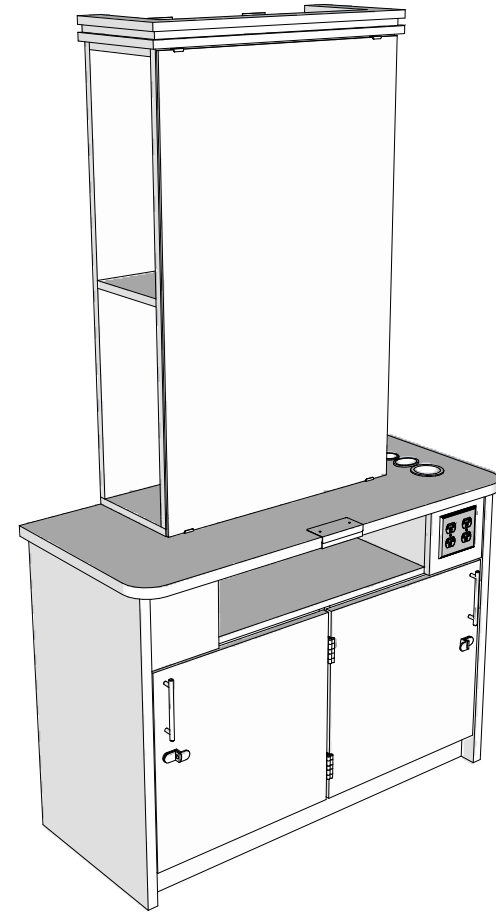
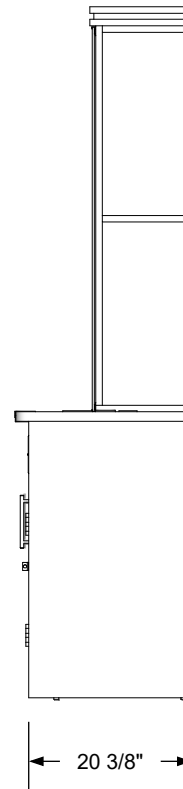
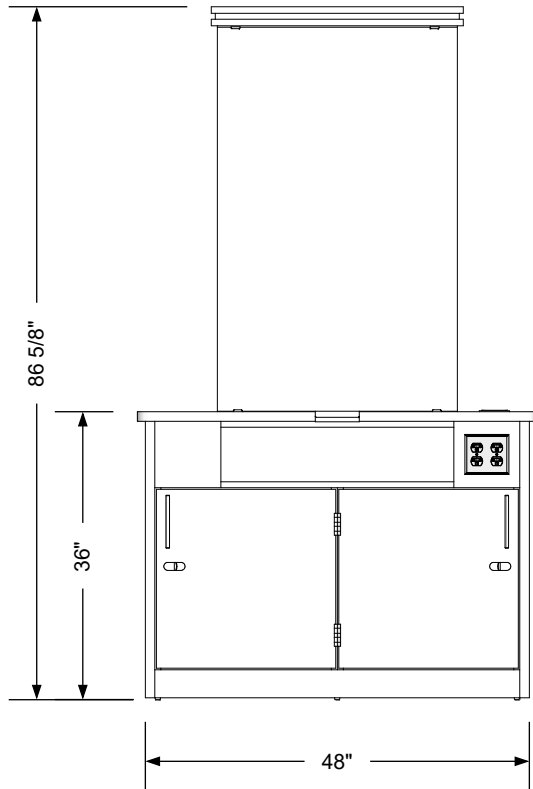
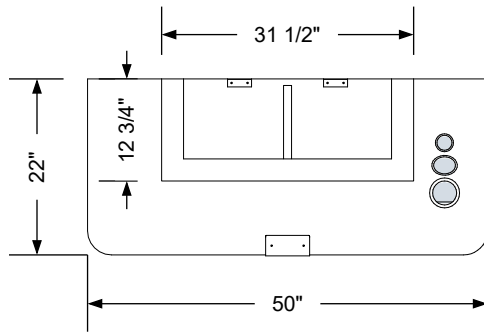
---

#### 3 Years:

- Ball-Bearing Drawer Slides
- Cabinet hinges

#### 1 Year:

- All remaining components, unless noted otherwise, are guaranteed for a period of one year from the date of purchase.



### Additional Information

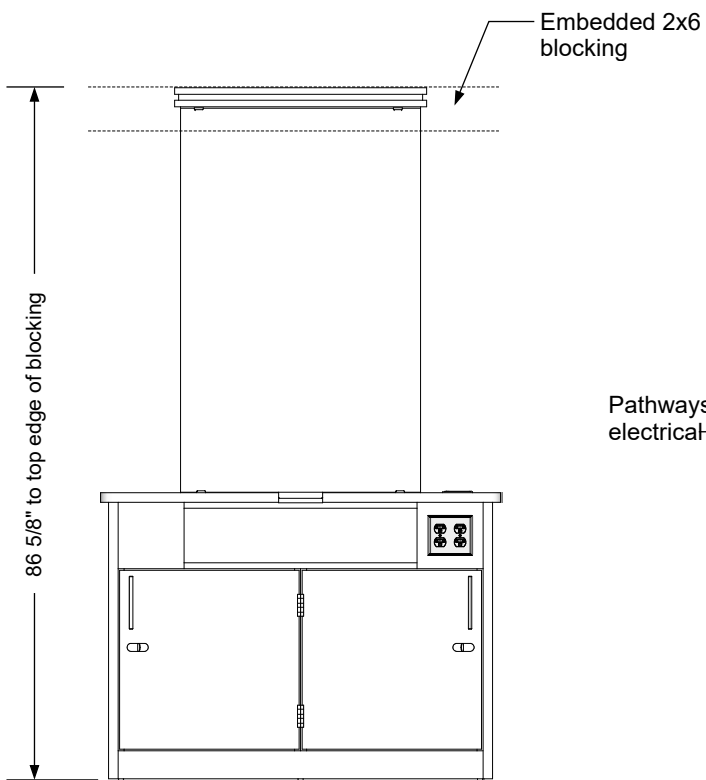
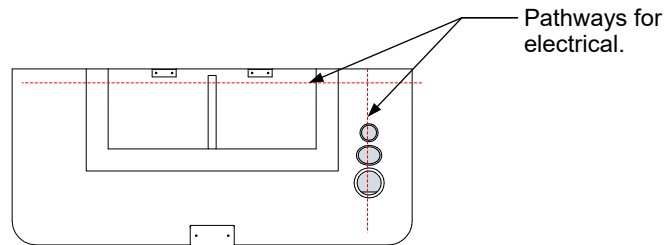
Assembly required - yes  
 Electrical required - yes  
 Plumbing required - no  
 Wall blocking required - yes  
 COM yardage/laminate usage - 94 sf  
 Laminated support legs + 1/4" h glides  
 Other (specify) - n/a  
 Other (specify) - n/a

### Specification Drawing

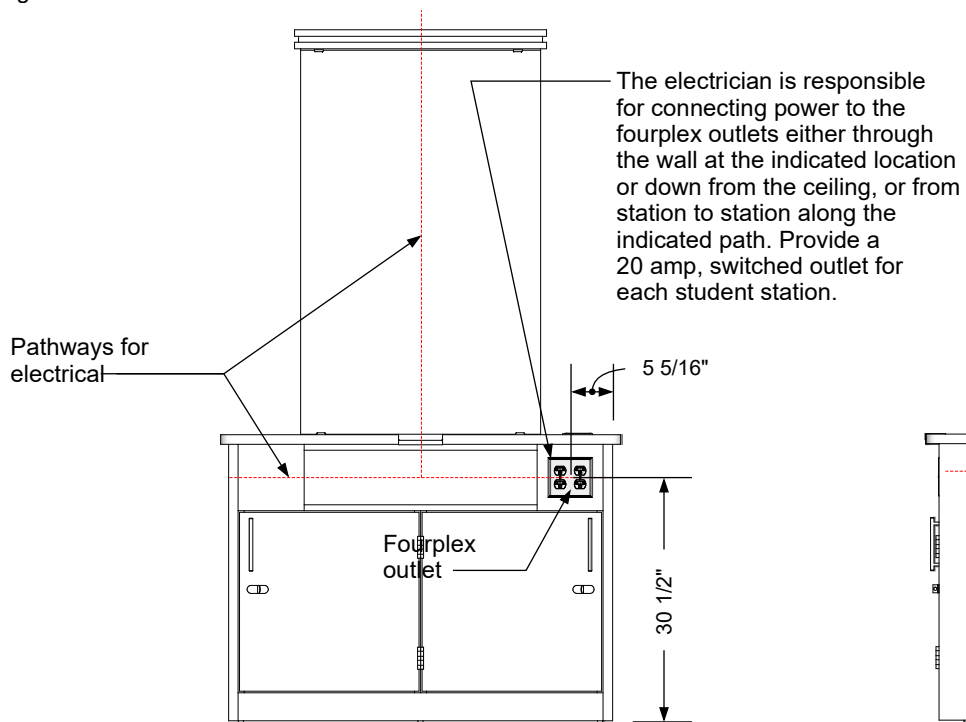
This **Specification Drawing** is intended for communicating the basic description, function, appearance, dimensions, features, and installation of an item as manufactured by Collins Manufacturing Company. Because this drawing does not contain project specific information such as quantities, finishes, or options, it is not an approval drawing and does not require a signature. This drawing remains the property of Collins Manufacturing Company and must not be used against the interests of Collins Manufacturing Company.

### Product Information

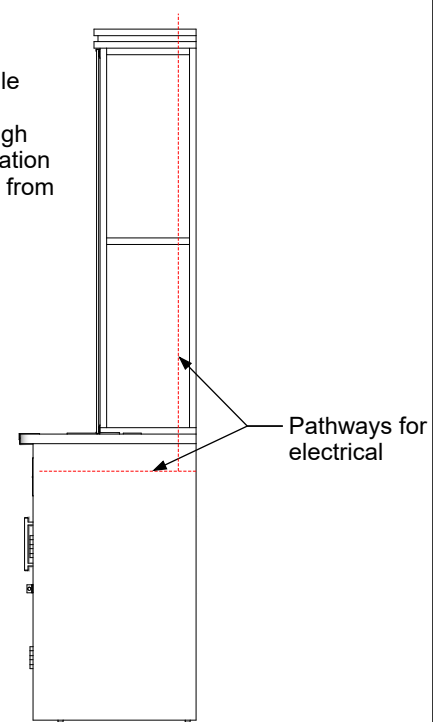
		Collins Manufacturing 2000 Bowser Road Cookeville, TN 38506	
Name: <b>Lehigh Plus Single</b>			
Size: <b>NTS</b>	Part Number: <b>2162-48</b>	Drawn By: <b>Eng</b>	
Prepared Date: <b>5/5/20</b>	Revision Date: <b>Date</b>	Revision Number: <b>Rev #</b>	Sheet: <b>1 of 2</b>



**Wall blocking detail**



**Electrical stub out detail**



**Additional Information**

Assembly required - yes  
 Electrical required - yes  
 Plumbing required - no  
 Wall blocking required - yes  
 COM yardage/laminate usage - 94 sf  
 Laminated support legs + 1/4" h glides  
 Other (specify) - n/a  
 Other (specify) - n/a

**Specification Drawing**

This **Specification Drawing** is intended for communicating the basic description, function, appearance, dimensions, features, and installation of an item as manufactured by Collins Manufacturing Company. Because this drawing does not contain project specific information such as quantities, finishes, or options, it is not an approval drawing and does not require a signature. This drawing remains the property of Collins Manufacturing Company and must not be used against the interests of Collins Manufacturing Company.

**Product Information**

		Collins Manufacturing 2000 Bowser Road Cookeville, TN 38506	
Name: <b>Lehigh Plus Single</b>			
Size: <b>NTS</b>	Part Number: <b>2162-48</b>	Drawn By: <b>Eng</b>	
Prepared Date: <b>5/5/20</b>	Revision Date: <b>Date</b>	Revision Number: <b>Rev #</b>	Sheet: <b>2 of 2</b>